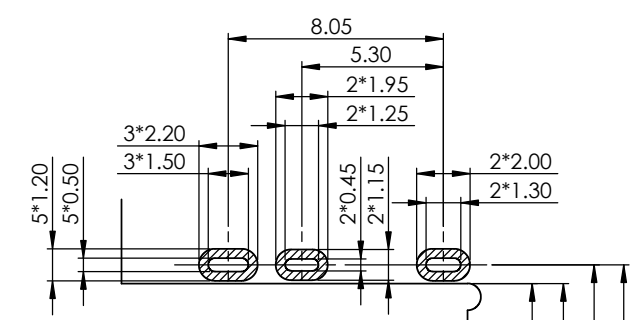
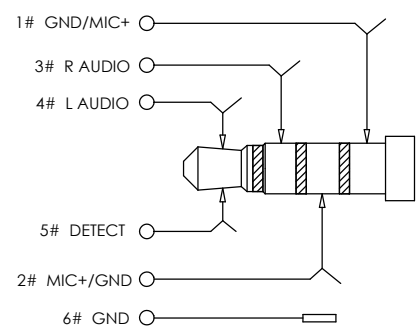
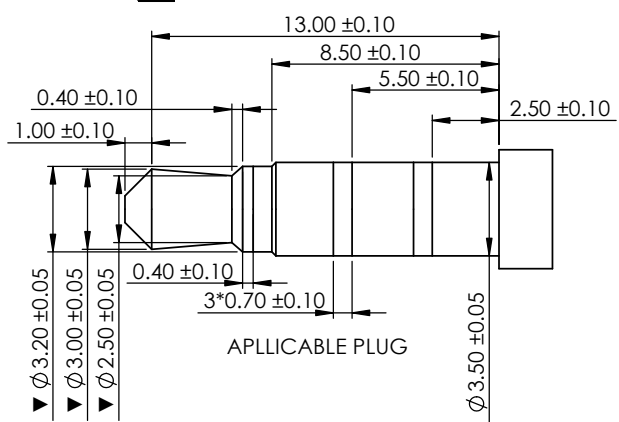
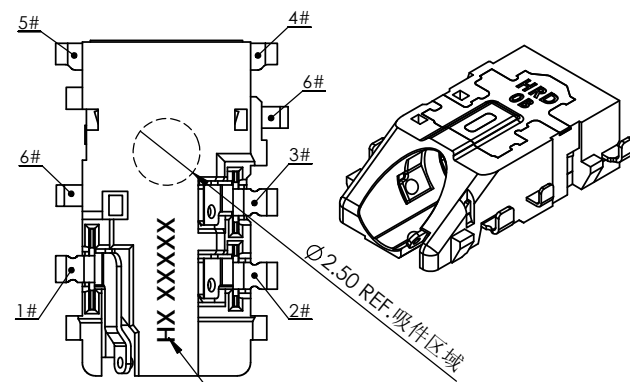
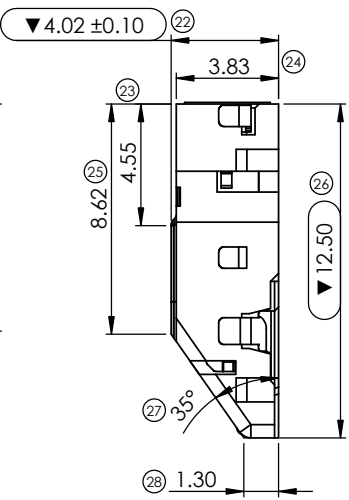
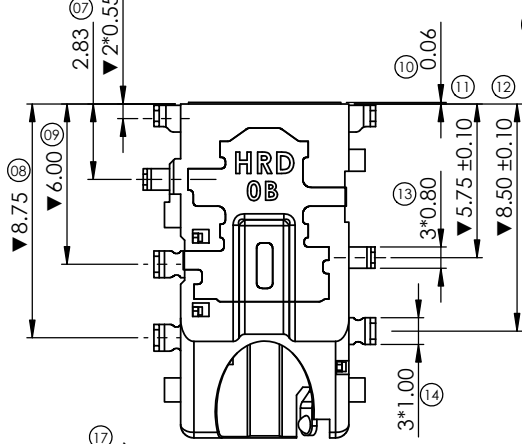


PLUG插入示意图



P.C.B LAYOUT (TOLERANCE: ±0.05)



APPLICABLE PLUG

- NOTES:
- MATERIAL: HOUSING: NYLON-9T(全新料), BLACK, UL 94V-0  
TERMINAL: COPPER ALLOY OR STAINLESS STEEL
  - FINISH: CONTACT: 15u" Min Au PLATED ON CONTACT  
1u" Min Au PLATED ON SOLDER TAILS AREA  
50u" Min Ni UNDER PLATED OVER ALL
  - ALL DIMENSIONS MARKED (XX) MUST BE MEASURE BY FAI
  - PRODUCT SPECIFICATIONS:  
4-1 WITHSTANDING: 500VAC/MINUTE  
4-2 CONTACT RESISTANCE: 50 MILLIOHM (initial) Max.  
4-3 INSULATION RESISTANCE: 100 MEGOHM Min.  
4-4 MATING FORCE: 5-20 N (BTFORE DURABILITY)  
3-20 N (AFTER DURABILITY)  
4-5 UNMATING FORCE: 7-20 N (BTFORE DURABILITY)  
5-20 N (AFTER DURABILITY)  
4-6 OPERATION TEMPERATURE: -25° TO +85°  
4-7 STORAGE TEMPERATURE: -25° TO +85°  
4-8 DURABILITY: 5000 CYCLES

D/C PART NO.: H X X X X X X X X X

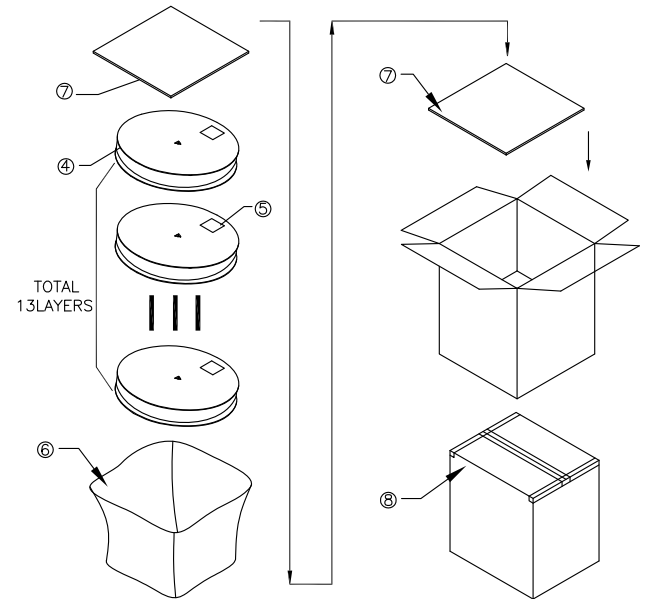
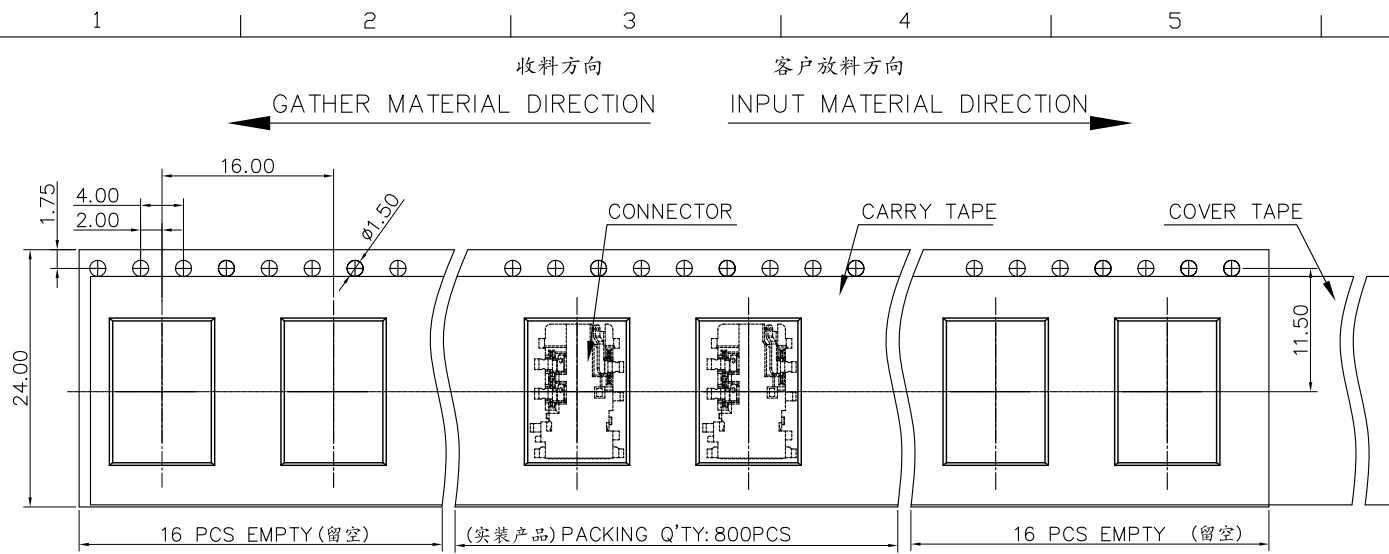
线别: A=A线、B=B线.....  
班别: 1=白班 2=夜班.....  
日: 1=1日, 2=2日.....  
A=10日, B=11日.....  
(WITH OUT 1、0、Z)  
月: 1=1月, 2=2月.....  
A=10月, B=11月.....

电镀: A=Au 5U"  
B=Au 15U"  
年: 7=2017年  
8=2018年  
9=2019年.....

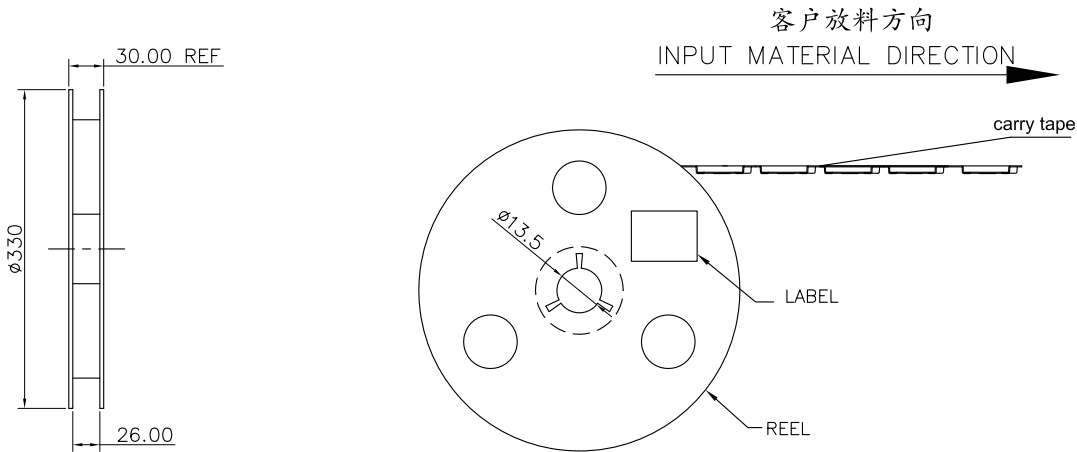
HOUSING	NYLON-9T(全新料), BLACK, UL 94V-0		1
Mylar	KAPTON T=0.06mm	/	1
PEG	SUS304-H T=0.15mm	/	1
DETECT	SUS304-3/4H T=0.20mm	50U" MIN Ni UNDER PLATED OVER ALL 15U" MIN AU ON CONTACT AREA 1U" MIN AU ON SOLDER AREA	1
L AUDIO			1
R AUDIO			1
GND	C5210-H T=0.20mm		1
MIC			1
NAME	MATERIAL	FINISH	Q'TY

REV.	ECN NO.	DESCRIPTION	DATE	UNITS: mm	GENERAL TOLERANCE	DRAW:	PART NO:
				DATE: 03/09/2018	X. ±0.20 .X' ±2.00	CHECKED:	PH115-0B16C38M
				SCALE: 5/1	.XX ±0.10 .XXX ±0.05	APPROVE:	NAME: φ3.50MM PHONE JACK CONN.
				SHEET: 1/2	TITLE: CUSTOMER FIGURE		DRAWING NO: C-PH111-0000
				REV. A	FINISH: SEE NOTE		





PH115-0B16C38M & 包装示意图



BOM:

NO.	NAME	P/N	SPEC.	Q'TY
①	PHONE JACK	PH115-0B16C38M	DIP	10400PCS
②	CARRY TAPE	R24-PH115380	PS,W=24.0,P=16.0	129.792m
③	COVER TAPE	C24-01000000	PE,W=21.3,T=0.05	129.792m
④	REEL	P24-01100000	φ330,H=24.0	13PCS
⑤	PE袋	G01-00907007	900*700*0.07	1PCS
⑥	纸箱	W01-01353539	350*350*390	1PCS

				UNITS: mm	GENERAL TOLERANCE		DRAW:	PART NO: <b>P-PH115-0B16C38M</b>
				DATE: 03/09'2018	X. ±0.30	X.' ±2.00'	CHECKED:	TITLE: φ 3.5MM PHONE JACK CONN.
				SCALE: N/A	.X ±0.20	.X' ±1.00'	APPROVE:	DRAWING NO:
A		NEW	03/09'2018	SHEET: 1/1	TITLE: PACKAGING DRAWING		昆山捷皇电子精密科技有限公司 HRD ELECTRONIC TECHNOLOGY CO.,LTD.	
REV.	ECN NO.	DESCRIPTION	DATE	REV. A	FINISH:			