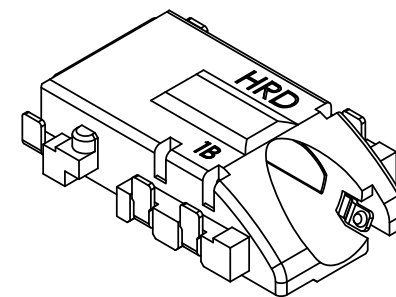
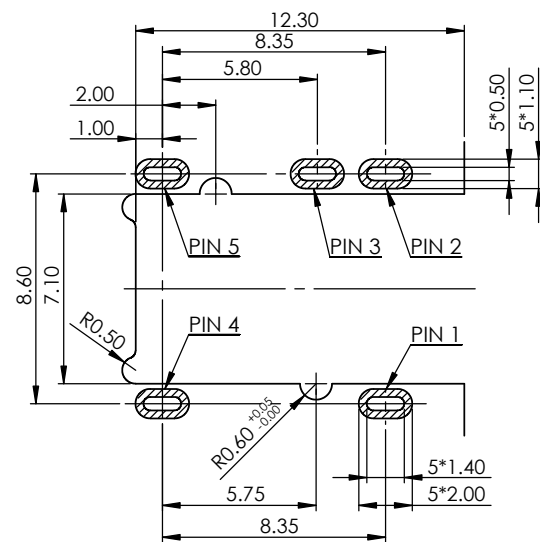
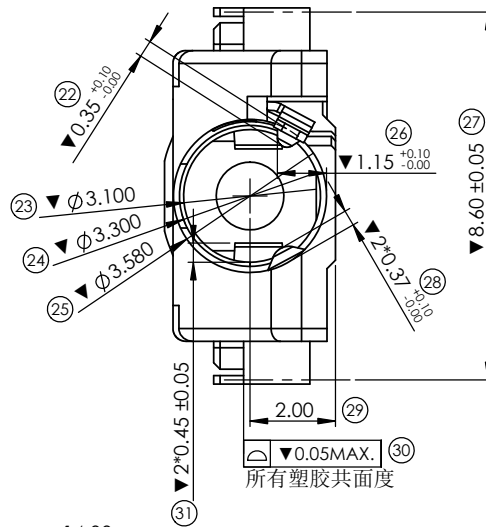
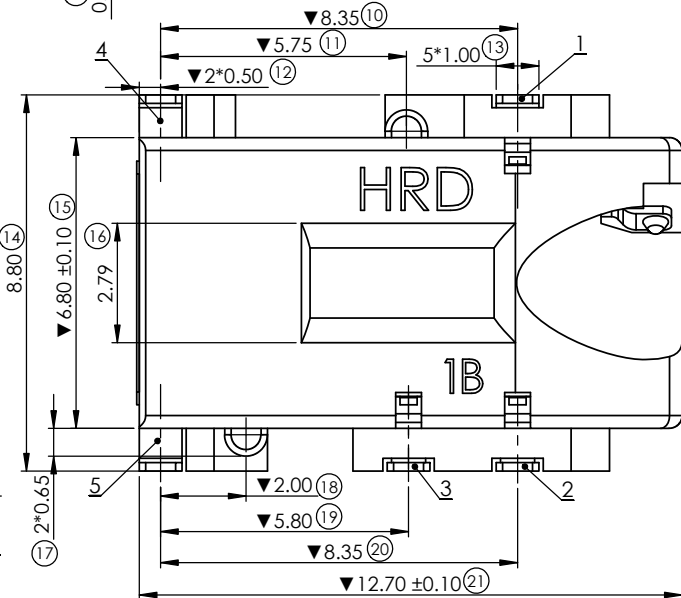
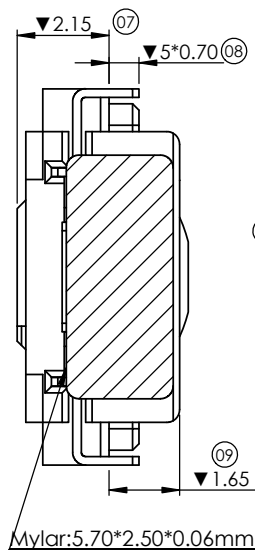
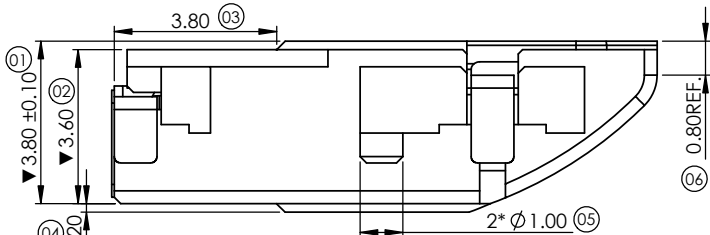
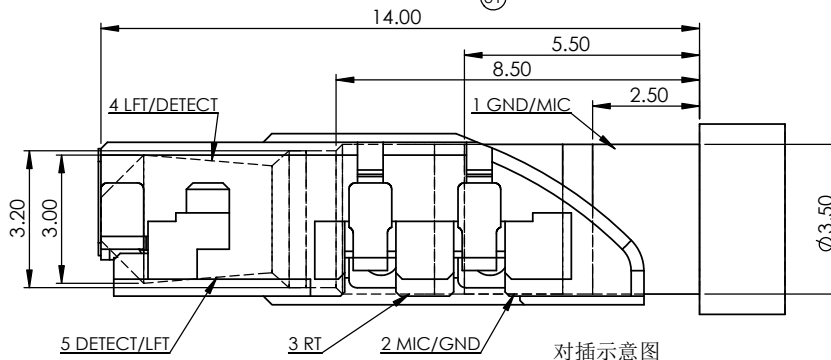


NO	DESCRIPTION
1	GND/MIC
2	MIC/GND
3	RT
4	LFT/DETECT
5	DETECT/LFT

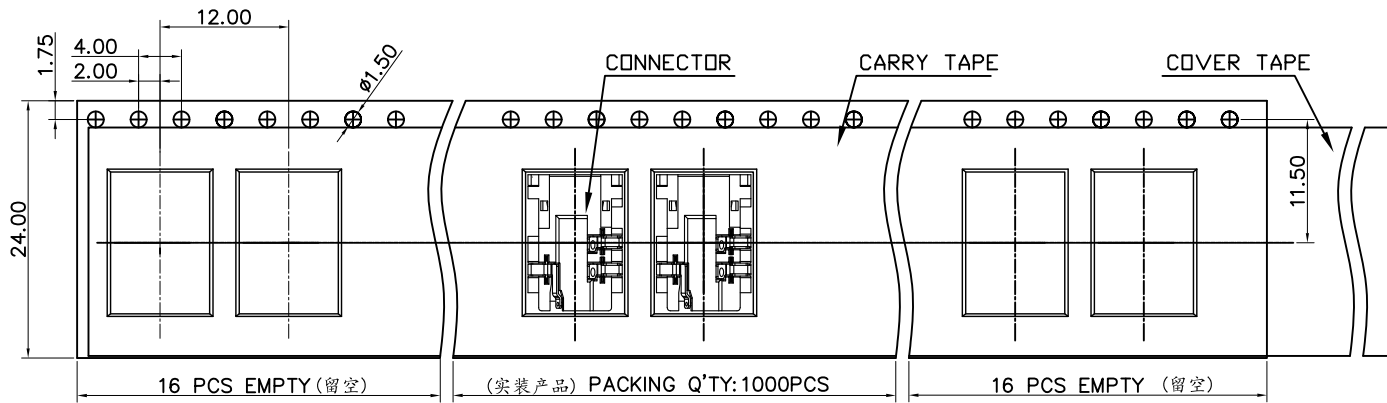


NOTES:

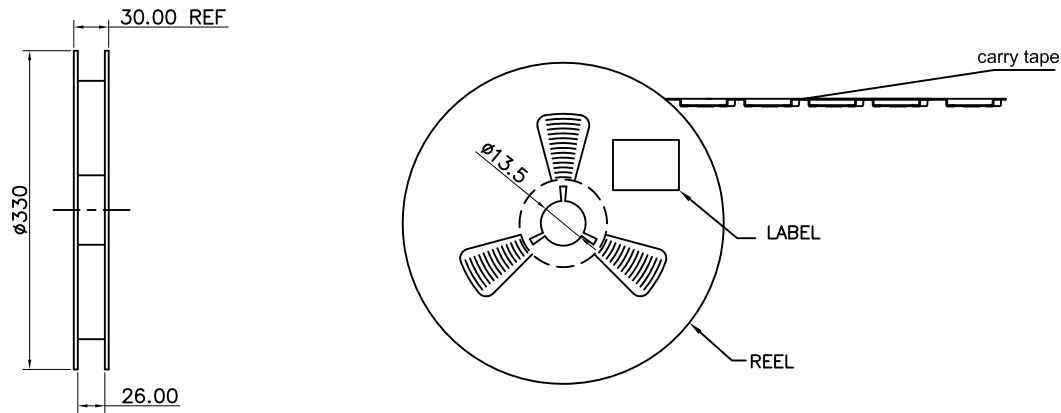
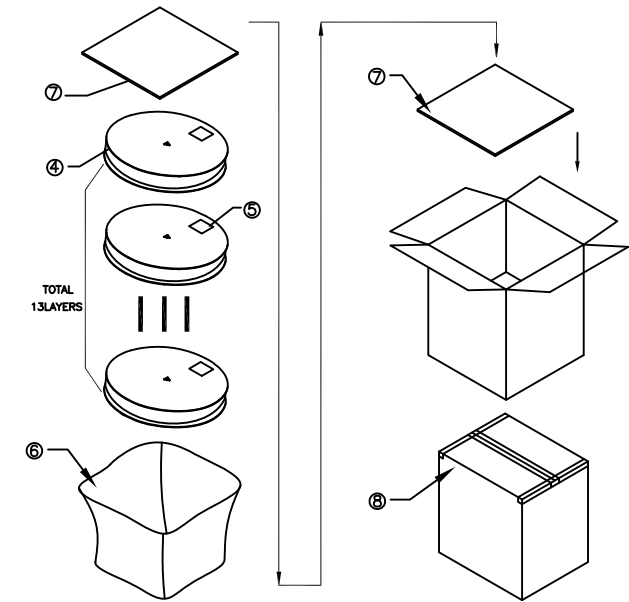
- MATERIAL:
BODY: PA 9T, BLACK, UL 94HB
TERMINAL: 1#/2#/3# COPPER ALLOY, T=0.20mm
4#/5# STAINLESS STEEL, T=0.20mm
- FINISH:
TERMINAL: 50u" MIN Ni UNDER PLATING OVER ALL
Au 1u" MIN UNDER PLATING OVER ALL
- ALL DIMENSIONS MARKED ▼ MUST BE CONTROLLED BY QC
- ALL DIMENSIONS MARKED ⊗ MUST BE MEASURED BY FAI
- PRODUCT SPECIFICATIONS:
5-1 WITHSTANDING: 500VAC/MINUTE
5-2 CONTACT RESISTANCE: 50 MILLIOHM (initial) Max.
5-3 INSULATION RESISTANCE: 100 MEGOHM Min.
5-4 MATING AND UNMATING FORCE: 0.5-3.0 Kgf Max. (BTFORE DURABILITY)
5-5 MATING AND UNMATING FORCE: 0.3-3.0 Kgf Max. (AFTER DURABILITY)
5-6 OPERATION TEMPERATURE: -25° TO +85°
5-7 STORAGE TEMPERATURE: -25° TO +85°
5-8 DURABILITY: 5000 CYCLE



REV.	ECN NO.	DESCRIPTION	DATE	UNITS: mm	GENERAL TOLERANCE	DRAW:	PART NO:
					X. ±0.20 X' ±0.15 .XX ±0.10 .XXX ±0.05		PH69-1B22F38M
				DATE: 03/20/2017	X. ±2.00 X' ±1.00 .XX ±0.50	CHECKED:	TITLE: Ø3.5MM PHONE JACK CONN. 反沉孔沉孔1.65mm * H=3.80mm
				SCALE: 8 / 1		APPROVE:	DRAWING NO:
				SHEET: 1 / 1	MATERIAL:	昆山捷皇电子精密科技有限公司 HONGRIDA ELECTRONIC TECHNOLOGY CO., LTD.	
				REV. A	FINISH: SEE NOTE		



PH69-1B22F38M 包装示意图



BOM:

NO.	NAME	P/N	SPEC.	Q'TY
①	PHONE JACK	PH69-1B22F38M	DIP	13000PCS
②	CARRIER TAPE	R24-PH693950	PS,W=24.0,P=12.0	160.992m
③	COVER TAPE	C24-01000000	PE,W=20.7,T=0.05	173.992m
④	REEL	P24-01100000	$\phi 330,H=24.0$	13PCS
⑤	LABEL	L01-01000000		13PCS
⑥	PE袋	G01-00907007	900*700	1PCS
⑦	隔板	Y03-40036000	400*360*3	2PCS
⑧	纸箱	W01-01353539	350*350*390	1PCS

NO.	DESCRIPTION	MAT,L	COLOR	REMARK
3				
2				
1	CARRIER TAPE	PS	TRANSPARENT	

REV.	ECN NO.	DESCRIPTION	DATE	REV. A	FINISH:	UNITS: mm	GENERAL TOLERANCE X. ± 0.20 .X ± 0.15 .XX ± 0.10 .XXX ± 0.05	DRAW: CHECKED: APPROVE:	PART NO: P-PH69-1B22F38M TITLE: $\phi 3.5$ MM PHONE JACK CONN. DRAWING NO:
		NEW	03/20/2017	SHEET: 1/1	MATERIAL:				


 昆山捷皇电子精密科技有限公司
 HRD ELECTRONIC TECHNOLOGY CO.,LTD.