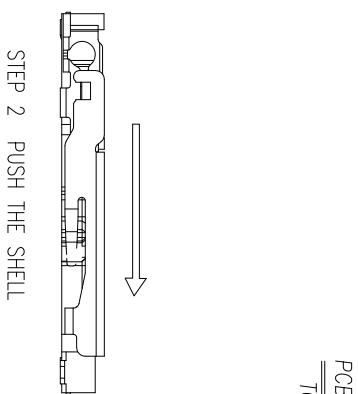
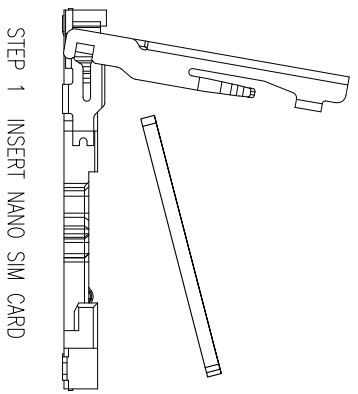


PCB LAYOUT(TOP VIEW)
TOLERANCE ±0.05

- NOTES:
- MATERIAL:
 - 1-1 HOUSING: THERMOPLASTIC, UL94 V-0, COLOR:BLACK
 - 1-2 SHELL: STAINLESS STEEL T=0.20mmmm
 - 1-3 CONTACT: COPPER ALLOY T=0.15mm
 - FINISH:
 - 2-1 CONTACT: 1u" AU MIN. ON CONTACT AREA
 - GOLD FLASH ON SOLD AREA,
 - 50u" NI MIN. UNDERPLATING OVER ALL



SIM CARD PIN NO.	NAME
PIN_1	VCC
PIN_2	RST
PIN_3	CLK
PIN_5	GND
PIN_6	VPP
PIN_7	I/O

3. ALL DIMENSIONS MARKED ▼ MUST BE CONTROLLED BY QC

4. ELECTRICAL MECHANICAL ENVIRONMENT

4-1 VOL TAGE RATING: 30V DC Per Contact

4-2 CURRENT RAT ING: 0.5A

4-3 Insulation Resistance: 1000MΩ Min

4-4 Contact Resistance: 50 mΩ Max

4-5 Operating temperature: -40° to 70°

4-6 DURABILITY: 3000 cycles See Note(d)

REV.	EON NO.	DESCRIPTION	DATE	REV.	UNITS:	GENERAL TOLERANCE	DRAW:	PART NO.
				A	mm	X: ±0.20 X: ±0.15 XX ±0.10 XXX ±0.05	CHECKED: APPROVE:	S156-3506F15A
						X: ±2.00* X: ±1.00* XX ±0.5*	NAME: DRAWING NO:	1.5H NANO SIM CARD CONNECTOR C-S156-0001
						TITLE: CUSTOMER DRAWING		
						FINISH SEE NOTE		

HONGRIDA ELECTRONIC TECHNOLOGY CO.,LTD.
昆山捷皇电子精密科技有限公司