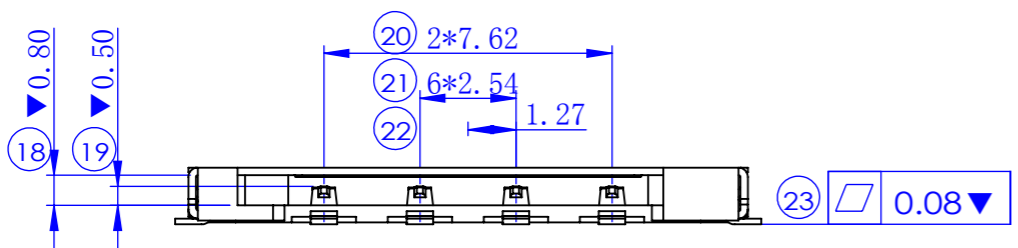
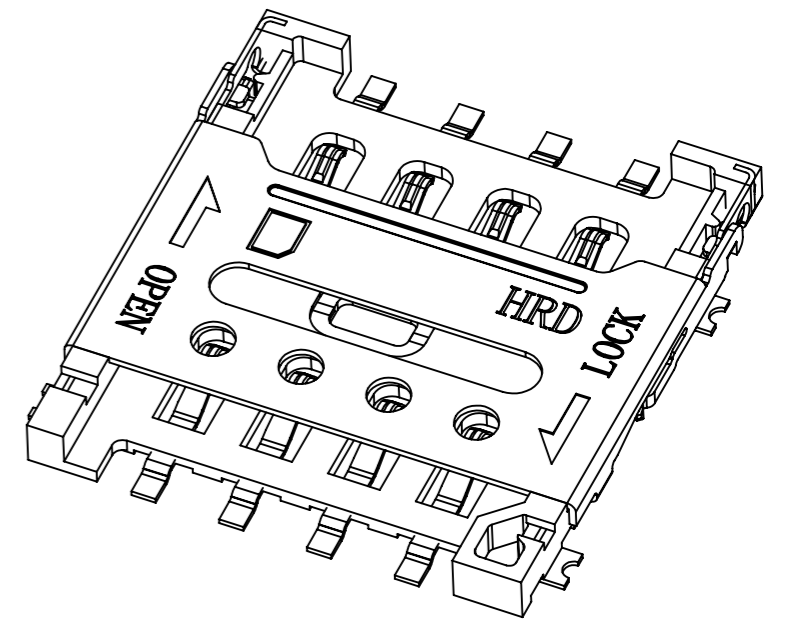
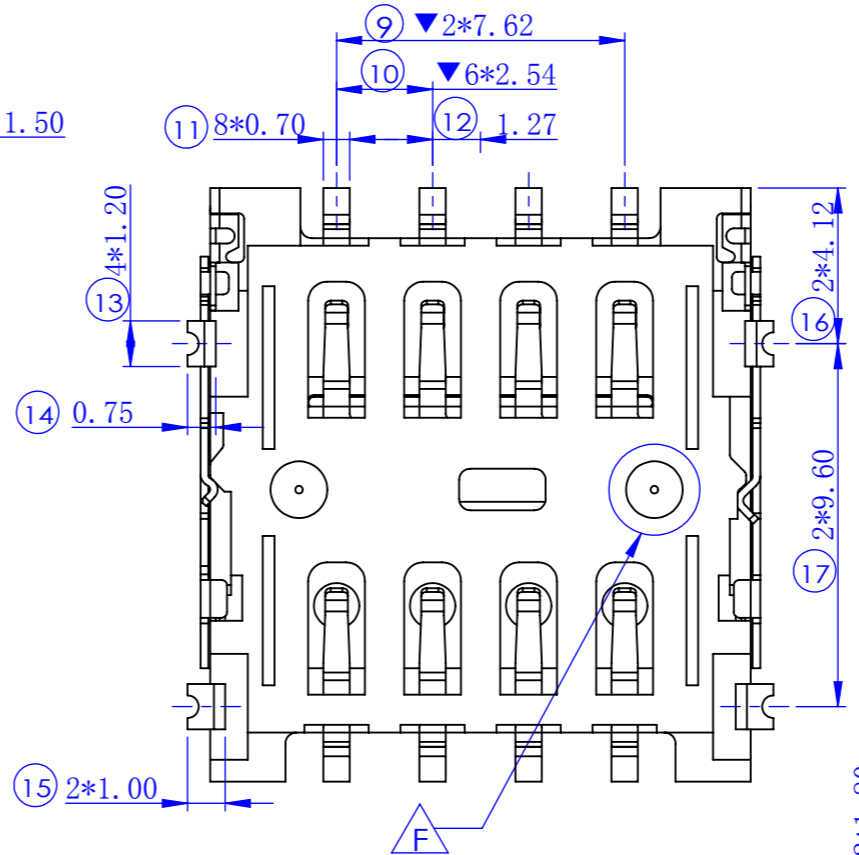
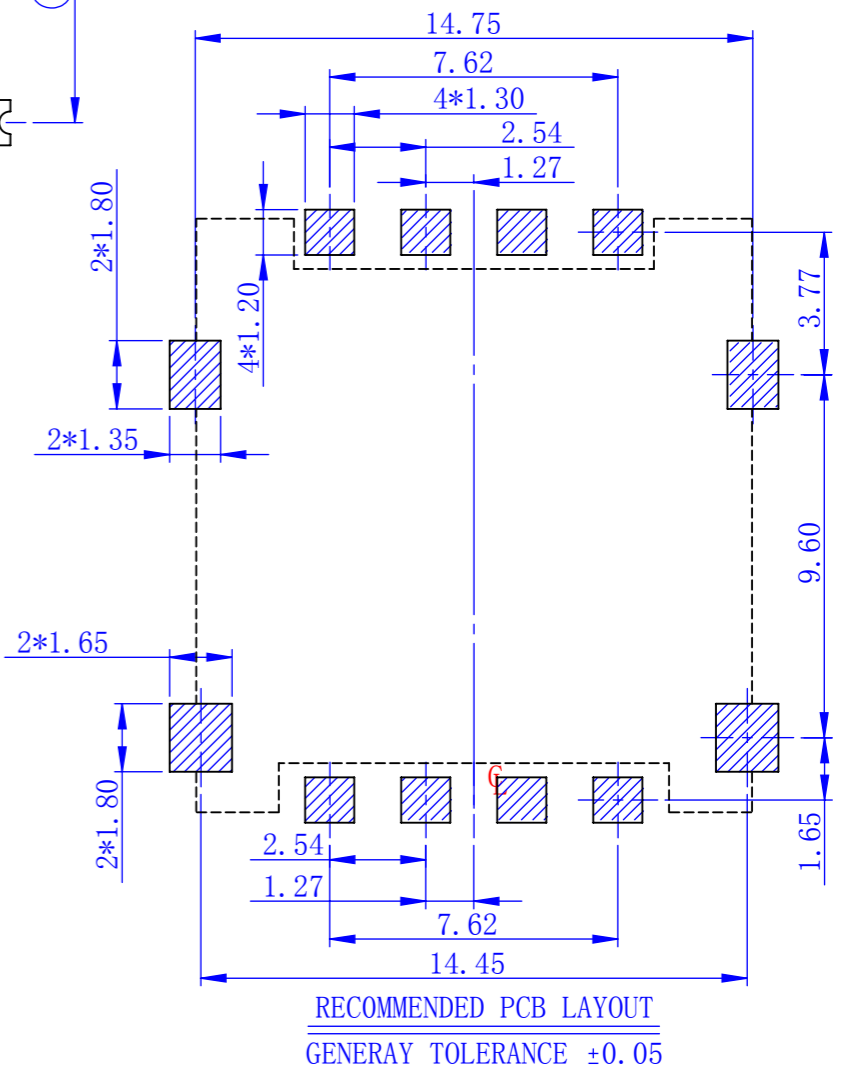
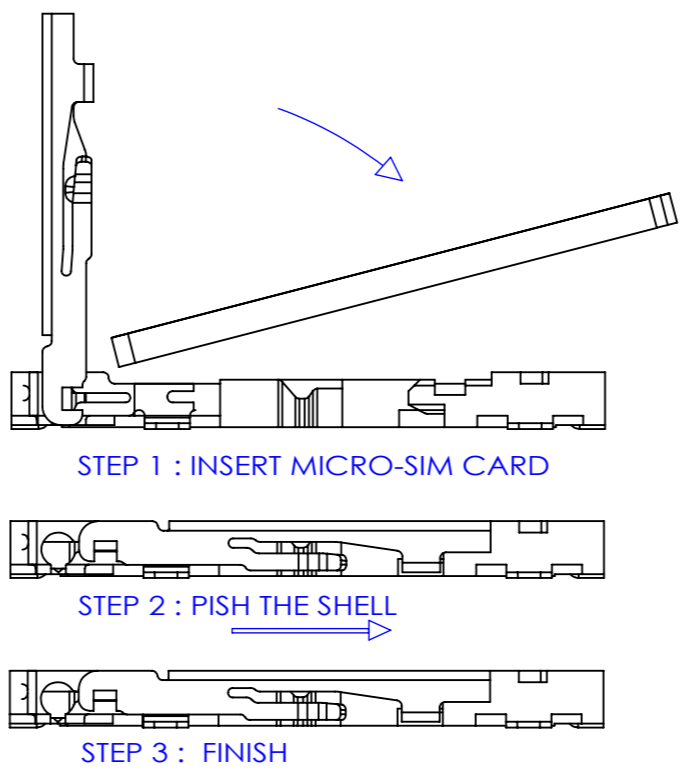


剖面 B-B



- NOTES:
- MATERIAL:
HOUSING:LCP, BLACK, UL 94V-0
CONTACT:PHOSPHOR BRONZE, T=0.15MM
SHELL:STAINLESS STEEL T=0.20MM
 - FINISH
CONTACT:50U' MIN PLATING OVER ALL
GOLD FLASH ON THE CONTACT AREA AND
SOLDER AREA
SHELL:SELECTIVE GOLD FLASH IN SOLDER TAIL AREA
30U' NI MIN. PLATING OVER ALL
 - ALL DIMENSIONS MARKED ▼ MUST BE CONTROLLED BY QC
 - ALL DIMENSIONS MARKER (XX) MUST BE MEASURED BY FAI.
 - RATED PARAMETERS OF CONNECTOR
5-1. Operating temperature: -40°C to 70°C
5-2. Rated Current: 0.5A
5-3. Rated Voltage: 30V DC Per Contact
 - ELECTRICAL MECHANICAL ENVIRONMENTAL
6-1. Dielectric withstanding Voltage : 500V AC 1min.
6-2. Insulation Resistance: 1000 MΩ Min.
6-3. Normal Force: 30g Min. Per Pin
6-4. Durability: 3000 cycles
6-5. Contact Resistance: 50mΩ MAX.

SIM CARD PIN NO.	PIN NO.
P1	VCC
P2	RST
P3	CLK
P4	RESERVED
P5	GND
P6	VPP
P7	I/O
P8	RESERVED



REV.	ECN NO.	DESCRIPTION	DATE	REV.	UNITS:	GENERAL TOLERANCE	DRAW:	PART NO:
F	E1703046A	增加进胶点	2017.03.09	mm	X. ±0.30	X.° ±2.00°		S28-0B08F15A
D	E1611515A	塑胶优化	2016.11.24	DATE:	.X ±0.20	.X° ±1.00°	CHECKED:	TITLE: MICRO-SIM CARD WITH SWITCH H=1.50mm
C	E1608320A	修改裁切孔位置	08/09/2016	SCALE:	.XX ±0.10	.XX° ±0.50°	APPROVE:	DRAWING NO:
B	E1504163A	增加限位结构	04/02/2015	SHEET:	.XXX ±0.05			
				1/1				
				F				

 昆山捷皇电子精密科技有限公司
HONGRIDA ELECTRONIC TECHNOLOGY CO.,LTD.