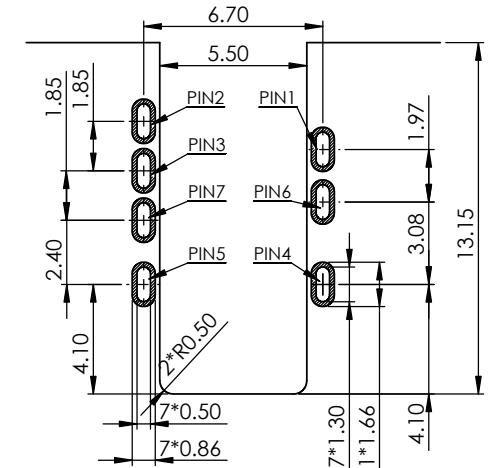
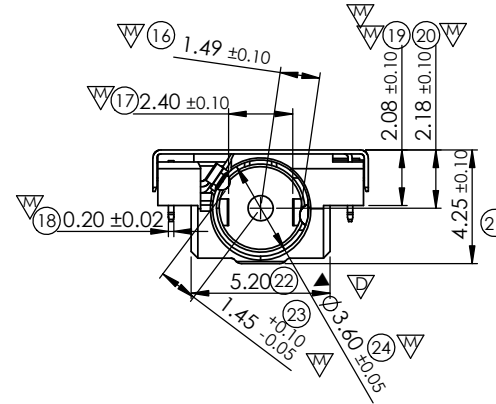
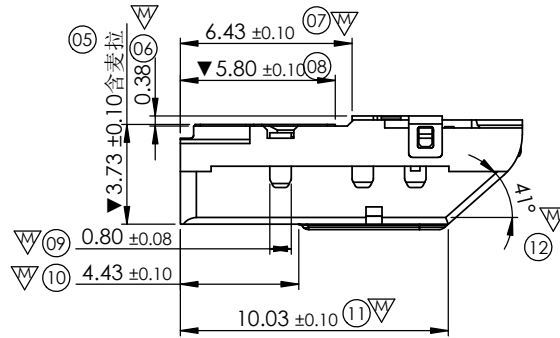
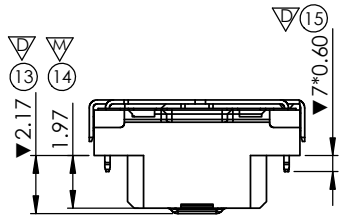


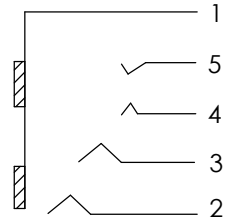
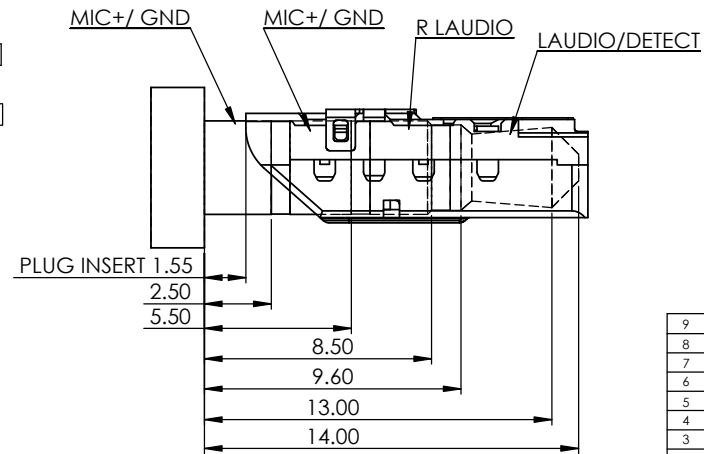
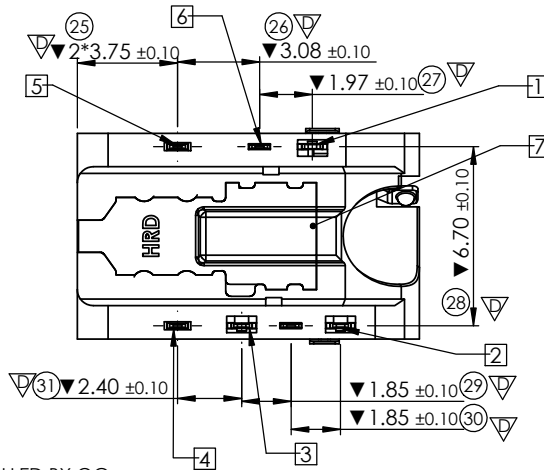
NO.	DESCRIPTION
1	GND / MIC+
2	MIC+ / GND
3	R AUDIO
4	L AUDIO / DETECT
5	DETECT / L AUDIO
6	GND



PCB LAYOUT(TOP VIEW)  
SCALE 3: 1(TOLERANCE±0.05)



P/N	镀金
PH92-0B22A42A	5U"
PH92-0B22C42A	15U"



NOTES:

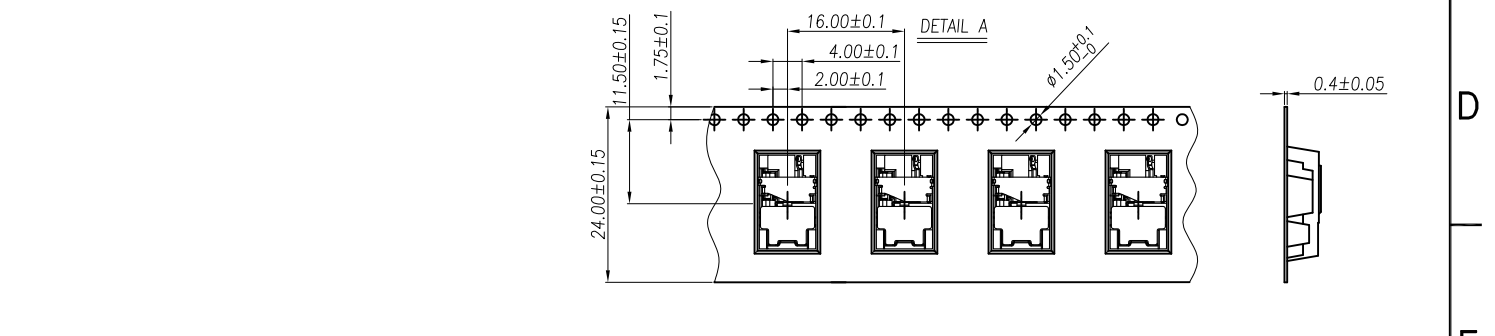
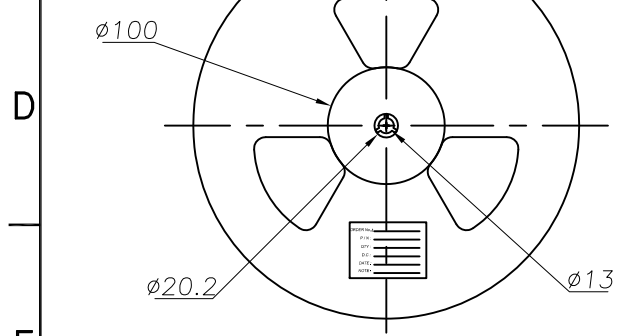
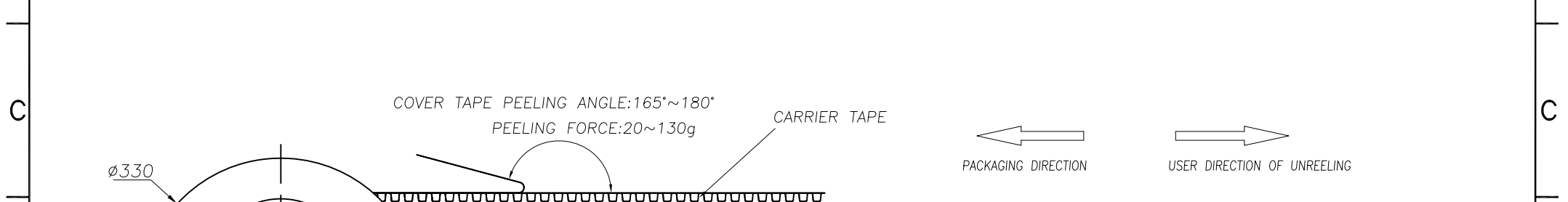
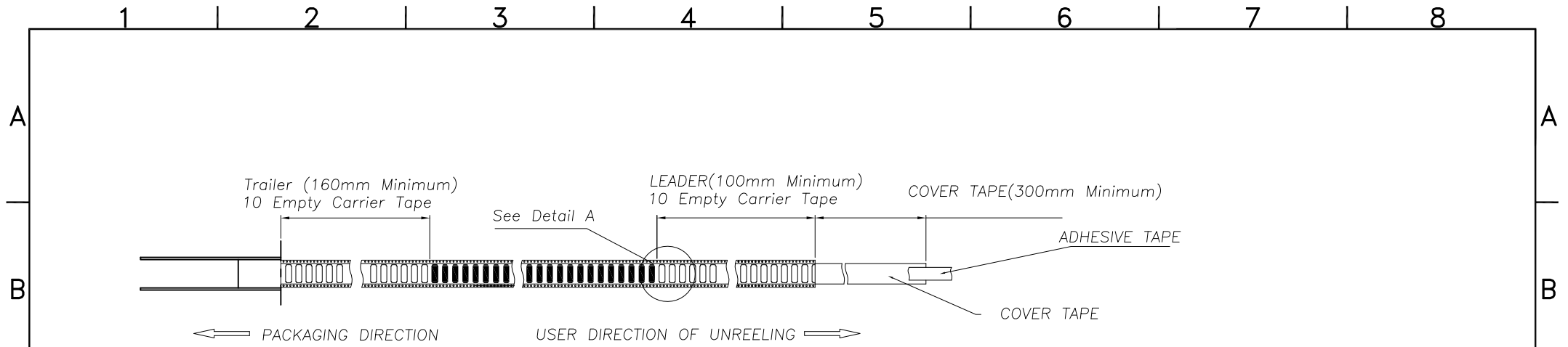
- MATERIAL:  
HOUSING:PA 9T-G1350H, BLACK, UL 94 V0  
CONTACT:SEE TABLE T=0.20mm
- FINISH:  
Au PLATING ON CONTACT AREA  
1u" Min Au PLATING ON SOLDER AREA  
50u" Ni UNDER PLATING OVER ALL
- ALL DIMENSIONS MARKED ▼ MUST BE CONTROLLED BY QC
- ALL DIMENSIONS MARKED ▽ MUST BE CONTROLLED EVERYDAY BY QC.  
MARKED ▽ PER WORK WEEK AND MARKED ▽ PER MONTH MUST BE CONTROLLED.
- ALL DIMENSIONS MARKED (X) MUST BE MEASURE BY FAI
- PRODUCT SPECIFICATIONS:  
6-1 WITHSTANDING: 500VAC/MINUTE  
6-2 CONTACT RESISTANCE: 50 MILLIOHM (initial) Max.  
6-3 INSULATION RESISTANCE: 100 MEGOHM Min.  
6-4 MATING AND UNMATING FORCE : 0.6-2.0 Kgf Max. (BTFOR DURABILITY)  
6-5 MATING AND UNMATING FORCE : 0.6-2.0 Kgf Max. (AFTER DURABILITY)  
6-6 OPERATION TEMPERATURE : -25° TO +85°  
6-7 STORAGE TEMPERATURE: -25° TO +85°  
6-8 DURABILITY : 5000 CYCLES

NO.	Parts Name	Q'	TY	Material	Finish	Remarks
9	MYLAR	1		PET		T=0.06
8	HOUSING	1		PA9T G1350H	UL94 V0	Black
7	CONTACT-7	1		SUS304-H	Ni+Au	T=0.15
6	CONTACT-6	1		SUS304-H	Ni+Au	T=0.15
5	CONTACT-5	1		SUS304-3/4H	Ni+Au	T=0.20
4	CONTACT-4	1		SUS304-3/4H	Ni+Au	T=0.20
3	CONTACT-3	1		C5210-H	Ni+Au	T=0.20
2	CONTACT-2	1		C5210-H	Ni+Au	T=0.20
1	CONTACT-1	1		C5210-H	Ni+Au	T=0.20

REV.	ECN NO.	DESCRIPTION	DATE	UNITS: mm	GENERAL TOLERANCE	DRAW:	PART NO:
A		NEW	06/12/2017		X. ±0.20 .X ±0.15 .XX ±0.10 .XXX ±0.05	CHECKED: APPROVE:	PH92-0B22X42A
				SCALE: 5/1	X' ±2.00 .X' ±1.00 .XX' ±0.50		TITLE: φ3.0MM PHONE JACK CONN.
				SHEET: 1/1	MATERIAL:		DRAWING NO:
				REV. A	FINISH: SEE NOTE		



昆山捷皇电子精密科技有限公司  
HONGRIDA ELECTRONIC TECHNOLOGY CO., LTD.



1	PH92-0B22A42A	800	13	11400	350X350X390
ITEM	PRODUCT NO	QTY/REEL	REEL/CARTON	QTY/CARTON	CARTON SIZE

					UNITS: mm	GENERAL TOLERANCE		DRAW:	PART NO: PH92-0B22A42A
					DATE: 05/25/17	X. ±0.20 .X ±0.15 .XX ±0.10 .XXX±0.05	X.* ±2.00* .X.* ±1.00* .XX.* ±0.50*	CHECKED:	TITLE: ø3.5 AUDIO JACK DIP TYPE
					SCALE: 1/1	MATERIAL: SEE NOTE		APPROVE:	DRAWING NO:
					SHEET: 2/2	FINISH: SEE NOTE		昆山捷皇电子精密科技有限公司 HONGRIDA ELECTRONIC TECHNOLOGY CO.,LTD.	
REV.	ECN NO.	DESCRIPTION	DATE	REV.	A				