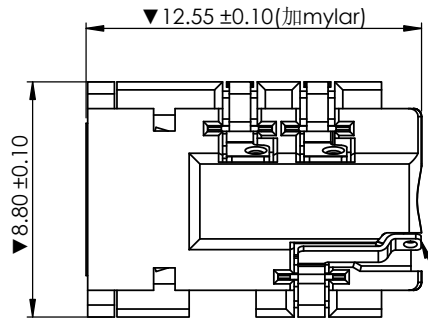
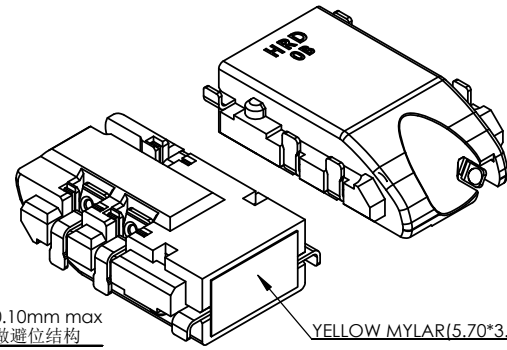


1 2 3 4 5 6 7 8

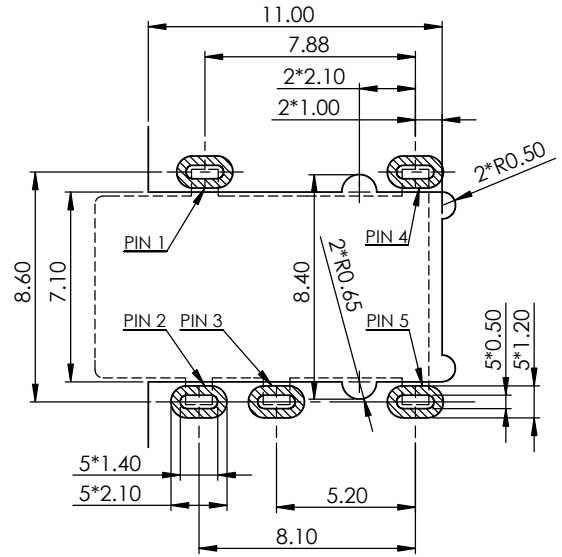


弹片凸出塑胶面0.10mm max
机壳对应位置需做避让结构

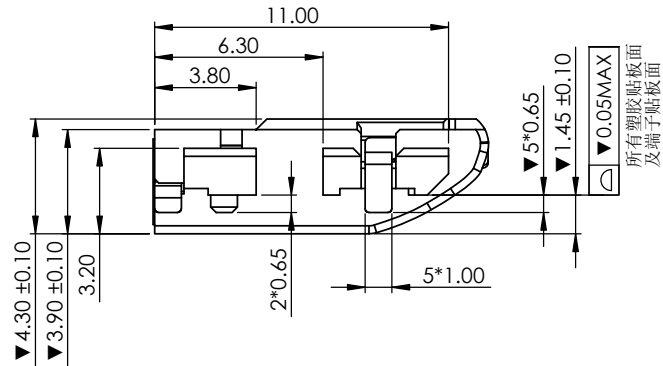


YELLOW MYLAR(5.70*3.20*0.06MM)

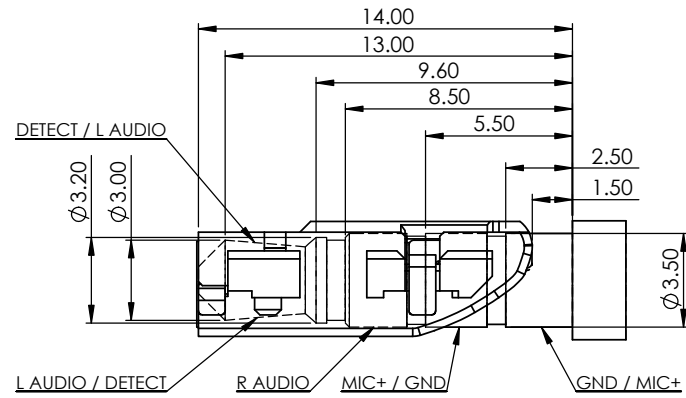
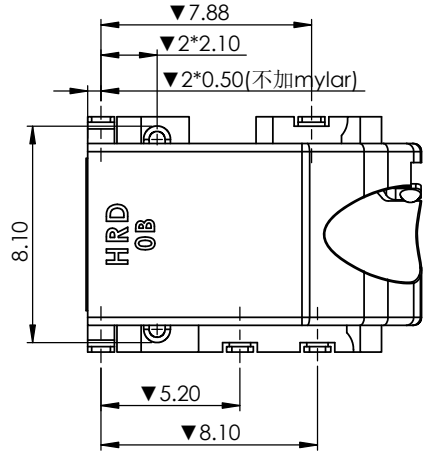
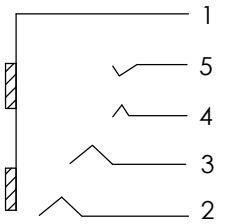
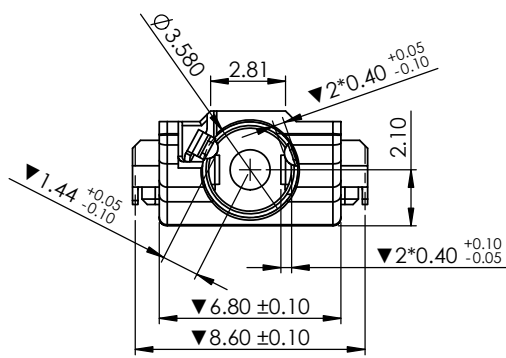
NO.	DESCRIPTION
1	GND / MIC+
2	MIC+ / GND
3	R AUDIO
4	L AUDIO / DETECT
5	DETECT / L AUDIO



P.C.B LAYOUT (TOLERANCE:±0.05)



所有塑胶贴板面
及端子贴板面



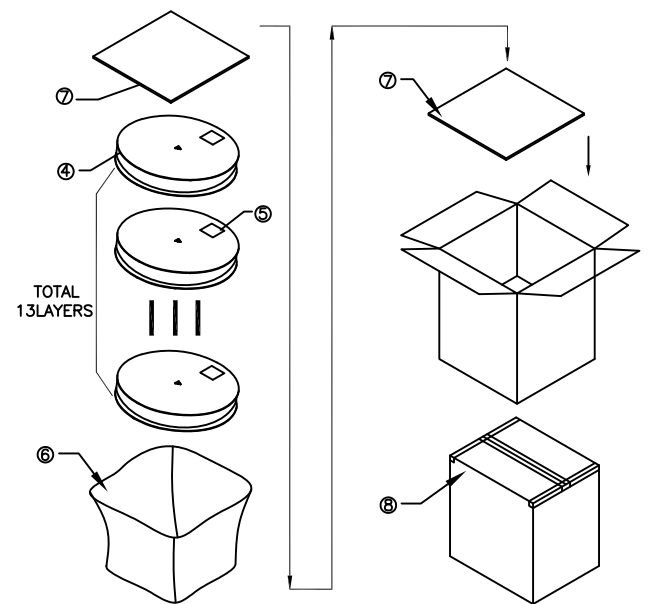
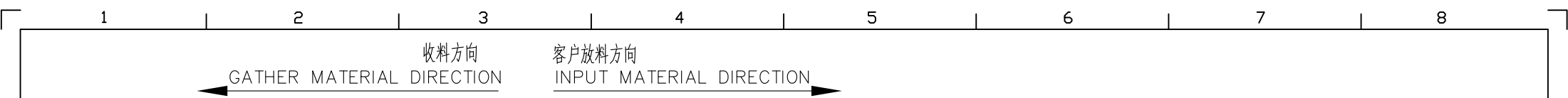
PLUG插入示意图

NOTES:
 1.MATERIAL:
 HOUSING:PA 9T,BLACK,UL 94-HB
 TERMINAL:1#/2#/3# COPPER ALLOY,T=0.20mm
 4#/5# STAINLESS STEEL,T=0.20mm
 2.FINISH:
 TERMINA:50u" MIN NI PLATED OVER ALL,
 1u" MIN AU PLATED ON CONTACT AREA
 1u" MIN AU PLATED ON SOLDER AREA
 3.PRODUCT SPECIFICATIONS:
 3-1 WITHSTANDING:500V AC/MINUTE
 3-2 CONTACT RESISTANCE:50 MEGOHM Min. (BTFORE DURABILITY)
 3-3 CONTACT RESISTANCE:80 MEGOHM Min. (AFTER DURABILITY)
 3-4 MATING AND UNMATING FORCE : 0.8-2.0 Kgf. (BTFORE DURABILITY)
 3-5 MATING AND UNMATING FORCE : 0.6-2.0 Kgf. (AFTER DURABILITY)
 3-6 OPERATION TEMPERATURE:-25° TO +85°
 3-7 STORAGE TEMPERATURE:-25° TO +85°
 3-8 DURABILITY : 5000 CYCLES
 4.GP PASSED ACCORD WITH HRD-ROHS-219 STANDARD.
 5.ALL DIMENSIONS MARKED ▼ MUST BE CONTROLLED BY QC
 ALL DIMENSIONS MARKER (XX) MUST BE MEASURE BY FAI.

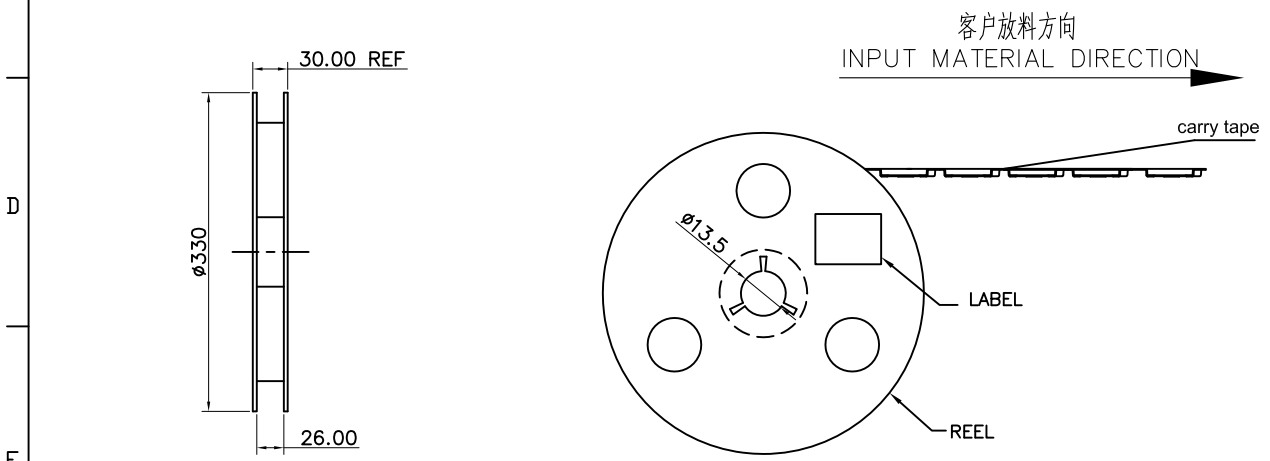
				UNITS: mm	GENERAL TOLERANCE		DRAW:	PART NO:
				DATE: 03/29/2017	X. ±0.20	X.' ±2.00'	CHECKED:	PH80-0B24F39M
				SCALE: 5/1	.X ±0.15	.X' ±1.00'	APPROVE:	TITLE: Ø3.50MMC PHONE JACK CONN. 板上2.45mm * 总高3.90mm
				SHEET: 1/2	.XX ±0.10	.XX' ±0.50'		DRAWING NO:
REV.	ECN NO.	DESCRIPTION	DATE	MATERIAL:	.XXX ±0.05			
		NEW	03/29/2017	FINISH: SEE NOTE				

昆山捷皇电子精密科技有限公司
HONGRIDA ELECTRONIC TECHNOLOGY CO., LTD.

1 2 3 4 5 6 7 8



PH80-0B24F39M & 包装示意图



BOM:

NO.	NAME	P/N	SPEC.	Q'TY
①	PHONE JACK	PH80-0B24F39M	DIP+SMT	13000PCS
②	CARRY TAPE	R24-PH803900	PS,W=24.0,P=12.0	160.992m
③	COVER TAPE	C24-00100000	PE,W=21.3,T=0.05	160.992m
④	REEL	P24-01000000	$\phi 330,H=24.0$	13PCS
⑤	LABEL	L01-01000000		13PCS
⑥	PE袋	G01-10100000	600*700	1PCS
⑦	隔板	D02-01000000	330*330*3	2PCS
⑧	纸箱	W01-01000000	350*350*390	1PCS

NO.	DESCRIPTION	MAT,L	COLOR	REMARK
3				
2				
1	R24-PH803900	PS	WHITE	

REV.	ECN NO.	DESCRIPTION	DATE	REV. A	FINISH:	UNITS: mm	GENERAL TOLERANCE	DRAW:	PART NO:
							X. ± 0.20 .X ± 0.15 .XX ± 0.10 .XXX ± 0.05		PH80-0B24F39M
						DATE: 03/29'2017	X.' ± 2.00 .X' ± 1.00 .XX' ± 0.50	CHECKED:	TITLE: $\phi 3.5$ MM PHONE JACK CONN.
						SCALE: N/A		APPROVE:	DRAWING NO:
A		NEW	03/29'2017			SHEET: 2/2	MATERIAL:		

