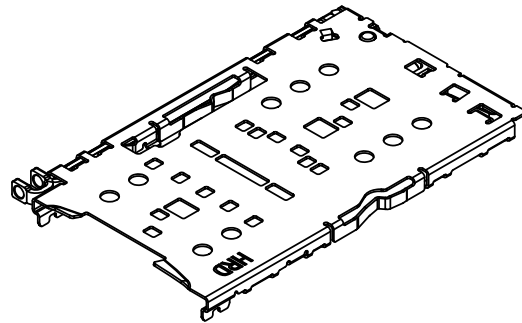



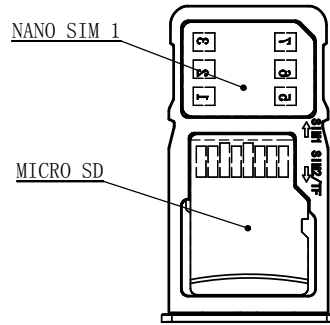
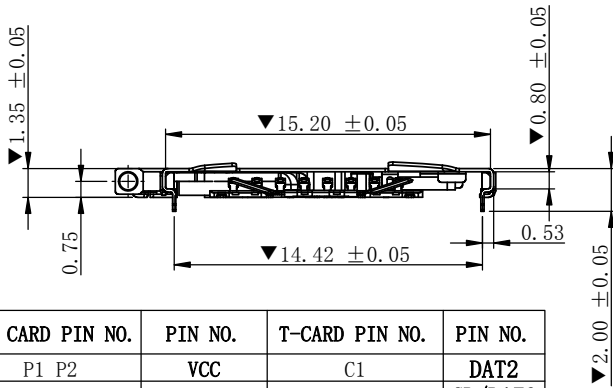
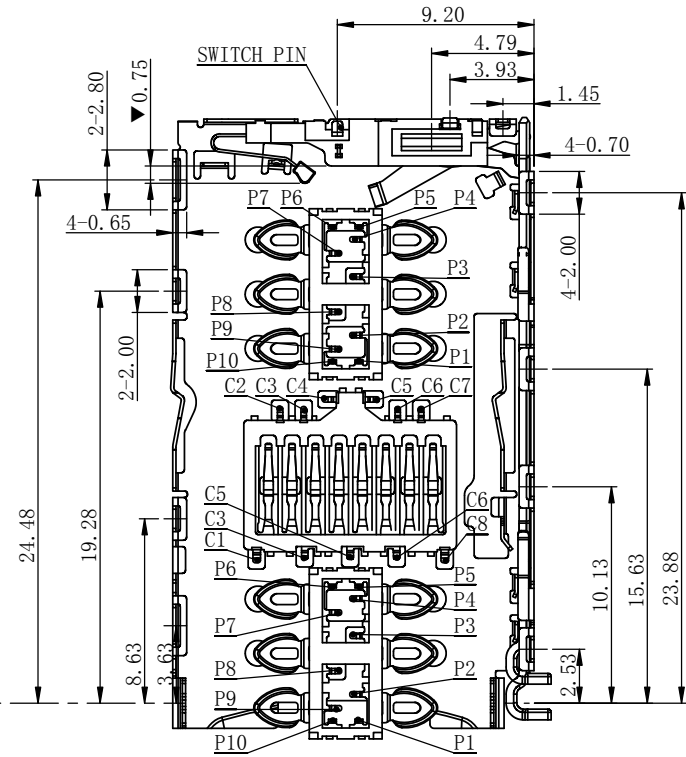
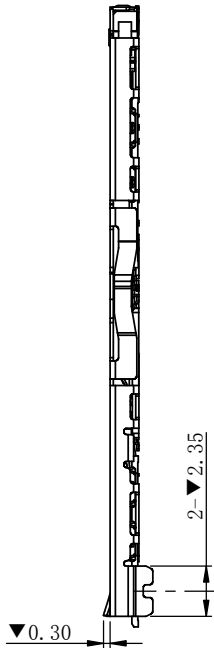
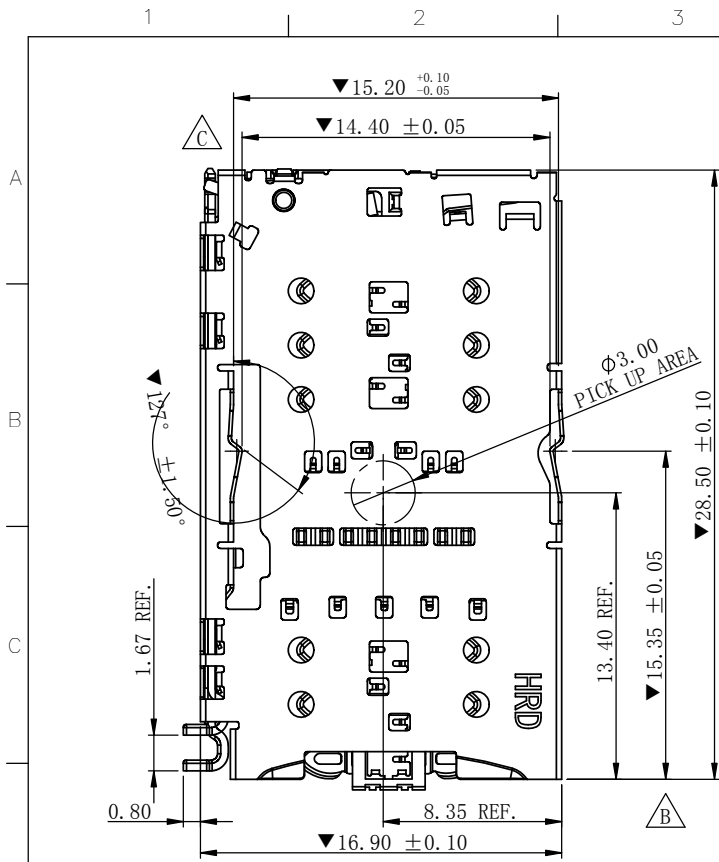
NOTES:

- MATERIAL:  
 BODY: HI-TEMP. PLASTIC, BLACK, UL 94V-0  
 TERMINAL: COPPER ALLOY, T=0.12mm  
 PUSHER: STAINLESS STEEL T=0.50mm  
 EJECT LEVER: STAINLESS STEEL T=0.40mm  
 SHELL: STAINLESS STEEL T=0.15mm
- FINISH:  
 TERMINA: 50u" Ni MIN UNDER PLATING OVER ALL  
 GOLD FLASH 1~3u" ON CONTACT AREA  
 SHELL / SWITCH: 30u" Ni MIN UNDER PLATING OVER ALL  
 GOLD FLASH 1~3u" ON SOLDER TAIL AREA
- CONTACT RESISTANCE 60 mΩ MAX  
 INSULATION RESISTANCE 1000mΩ MIN  
 HIGH VOLTAGE RESISTANCE 500V AC, 1 MINUTE  
 OPERATING VOLTAGE 10V DC  
 PEAK CURRENT 0.5A MAX  
 OPERATING TEMPERATURE -20°C/+85°C  
 STORAGE TEMPERATURE -20°C/+85°C
- MECHANICAL LIFETIME MIN. 3000 MATING CYCLE
- ALL DIMENSIONS MARKED ▼ MUST BE CONTROLLED BY QC
- GP PASSED ACCORD WITH HRD-RoHS-219 STANDARD.
- ALL DIMENSIONS MARKER (XX) MUST BE MEASURE BY FAI.

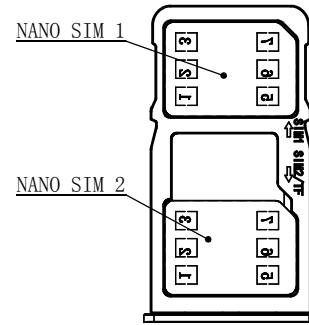


ASSEMBLY

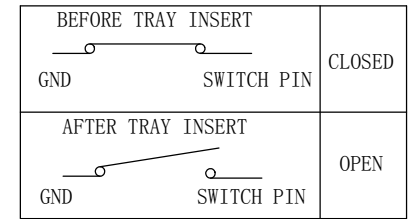
				UNITS: mm	GENERAL TOLERANCE		DRAW:	PART NO:
C		弹片高度变更	06/08/2017	DATE: 02/13/2017	X. ±0.25	X' ±5.00'	CHECKED:	S175-1B03F13F
B	E1705123A	弹片位置变更	05/23/2017	SCALE: 4/1	.X ±0.15	.X' ±3.00'	APPROVE:	TITLE: SIM CARD 卡座 组合件 板上1.35H
A		NEW	02/24/2017	SHEET: 1/4	.XX ±0.10	.XX' ±1.00'		DRAWING NO:
REV.	ECN NO.	DESCRIPTION	DATE	REV. A	MATERIAL:	.XXX ±0.05	.XXX' ±0.50'	
					FINISH: SEE NOTE	 <b>昆山捷皇电子精密科技有限公司</b> HONGRIDA ELECTRONIC TECHNOLOGY CO., LTD.		



装卡方案一



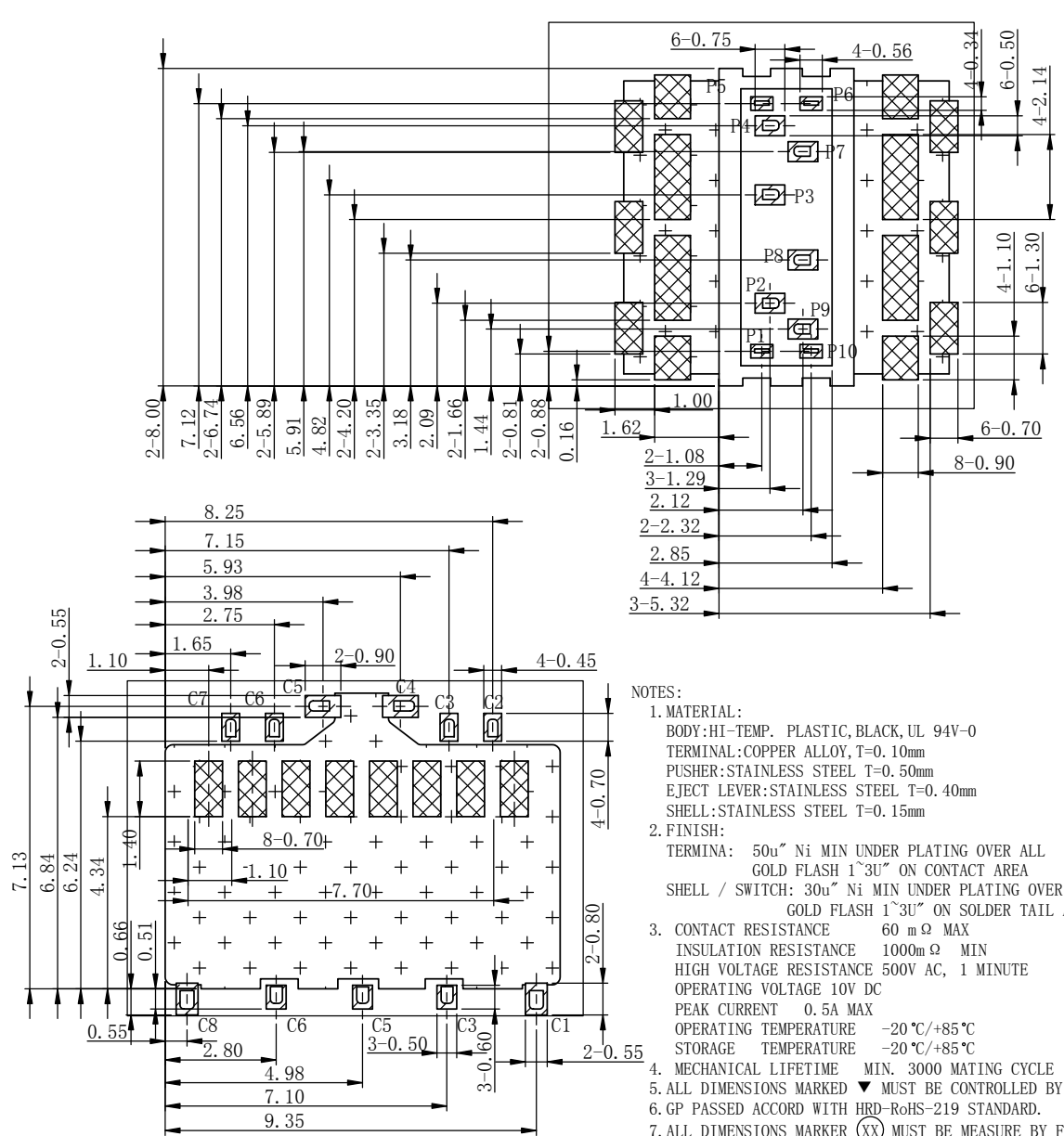
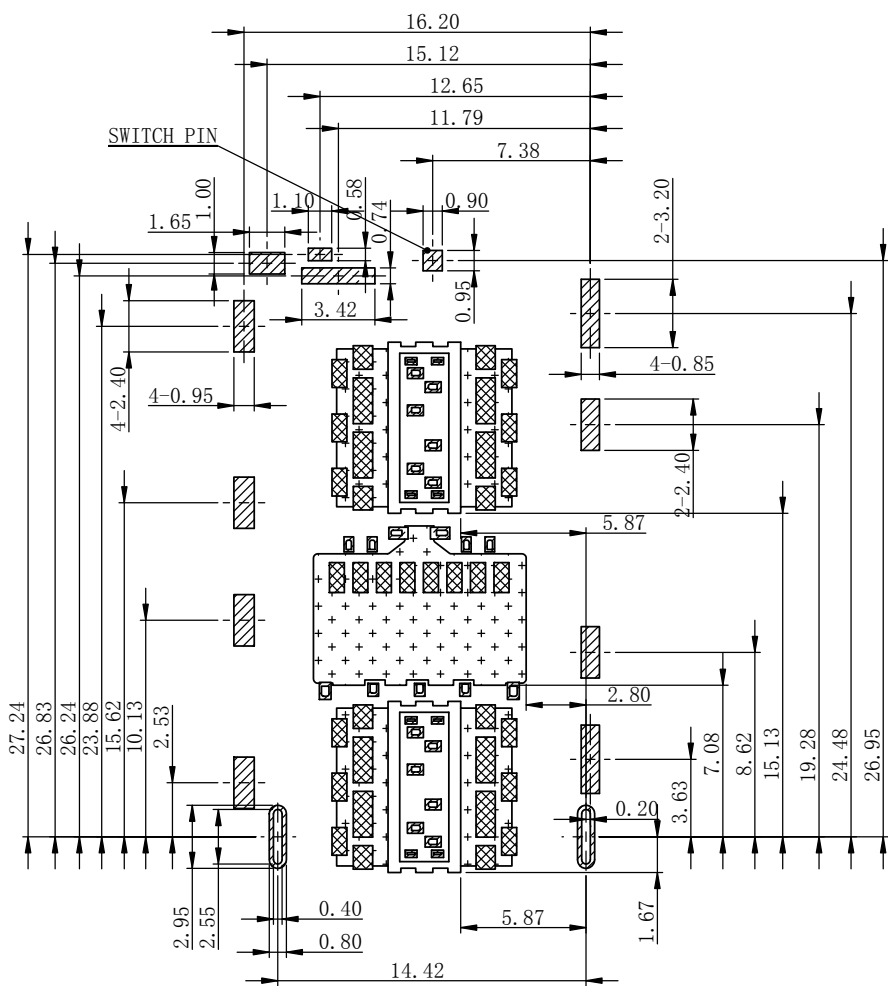
装卡方案二



SIM CARD PIN NO.	PIN NO.	T-CARD PIN NO.	PIN NO.
P1 P2	VCC	C1	DAT2
P3	RST	C2	CD/DAT3
P4 P5	CLK	C3	CMD
/	RESERVED	C4	VDD
P6 P7	I/O	C5	CLK
P8	VPP	C6	VSS
P9 P10	GND	C7	DAT0
/	RESERVED	C8	DAT1
s/w	SWITCH PIN		

REV.	ECN NO.	DESCRIPTION	DATE	UNITS: mm	GENERAL TOLERANCE	DRAW:	PART NO:
C		弹片高度变更	06/08/2017	DATE: 02/13/2017	X. ±0.25 X' ±0.15 .XX ±0.10 .XXX ±0.05	X." ±5.00 X' ±3.00 .XX' ±1.00 .XXX' ±0.50	S175-1B03F13F(组配图)
B	E1705123A	弹片位置变更	05/23/2017	SCALE: 4/1		CHECKED:	TITLE: SIM CARD 卡座 组合件 板上1.35H
A		NEW	02/24/2017	SHEET: 2/4	MATERIAL:	APPROVE:	DRAWING NO:
				REV. A	FINISH: SEE NOTE		

 昆山捷皇电子精密科技有限公司  
HONGRIDA ELECTRONIC TECHNOLOGY CO., LTD.

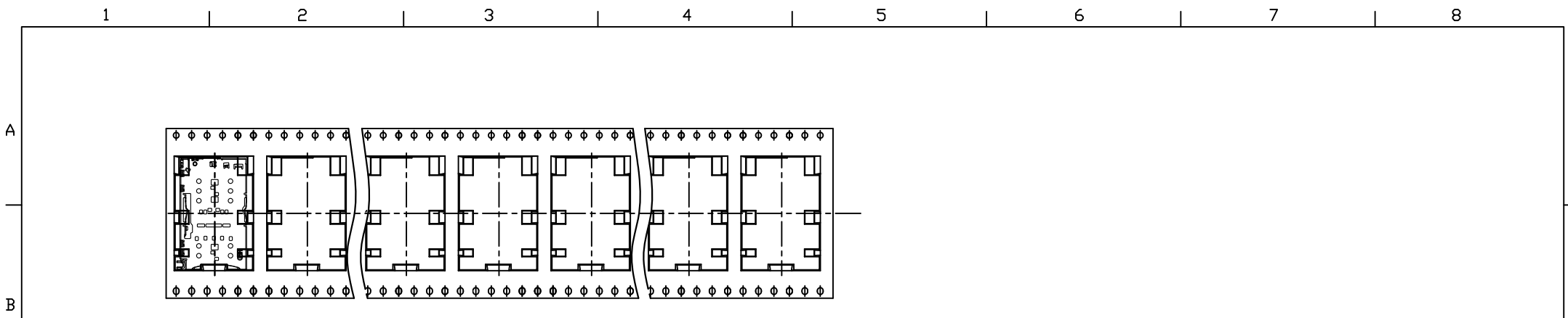


- NOTES:
- MATERIAL:
    - BODY: HI-TEMP. PLASTIC, BLACK, UL 94V-0
    - TERMINAL: COPPER ALLOY, T=0.10mm
    - PUSHER: STAINLESS STEEL T=0.50mm
    - EJECT LEVER: STAINLESS STEEL T=0.40mm
    - SHELL: STAINLESS STEEL T=0.15mm
  - FINISH:
    - TERMINA: 50u" Ni MIN UNDER PLATING OVER ALL GOLD FLASH 1~3U" ON CONTACT AREA
    - SHELL / SWITCH: 30u" Ni MIN UNDER PLATING OVER ALL GOLD FLASH 1~3U" ON SOLDER TAIL AREA
  - CONTACT RESISTANCE 60 mΩ MAX  
 INSULATION RESISTANCE 1000mΩ MIN  
 HIGH VOLTAGE RESISTANCE 500V AC, 1 MINUTE  
 OPERATING VOLTAGE 10V DC  
 PEAK CURRENT 0.5A MAX  
 OPERATING TEMPERATURE -20 °C/+85 °C  
 STORAGE TEMPERATURE -20 °C/+85 °C
  - MECHANICAL LIFETIME MIN. 3000 MATING CYCLE
  - ALL DIMENSIONS MARKED ▼ MUST BE CONTROLLED BY QC
  - GP PASSED ACCORD WITH HRD-RoHS-219 STANDARD.
  - ALL DIMENSIONS MARKER (XX) MUST BE MEASURE BY FAI.

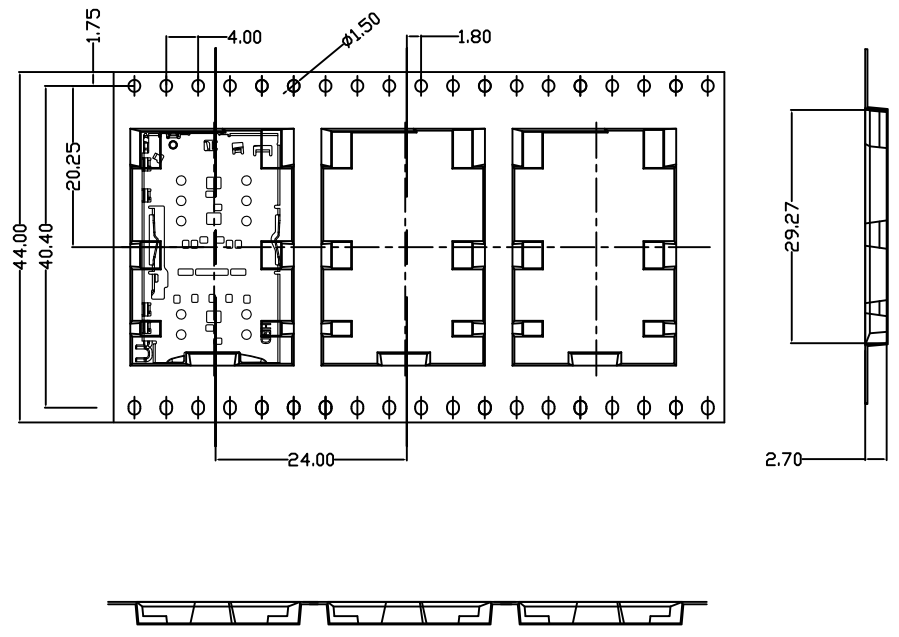
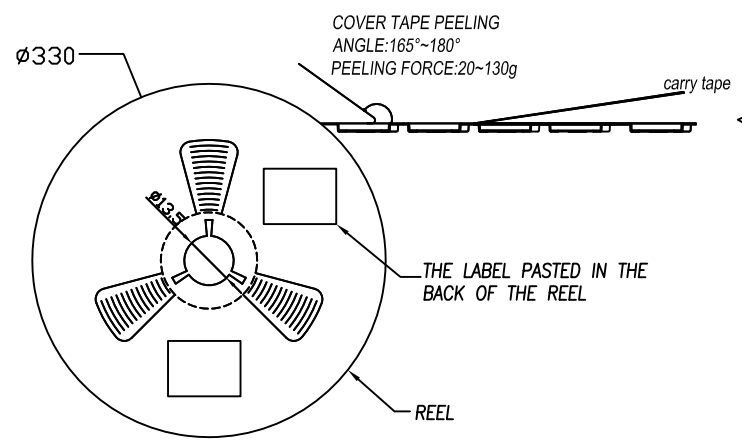
- Soldering Pad Area
- Open Wire Restricted Area
- Open Wire & Copper Restricted Area
  - Touch Area Of Conctact Tips, No Electrical Function And Only For Mechanical Function
  - No First PCB-layer Circuits In The Area
- No Solder Pad Area
  - Touch Area Of Conctact Tips, No Electrical Function And Only For Mechanical Function
  - Don't Brush Tin Pasted On The Area During SMT Process

UNITS: mm	GENERAL TOLERANCE		DRAW:		PART NO:
C	彈片高度變更	06/08/2017	DATE: 02/13/2017	X. ±0.25 X' ±0.00'	S175-1B03F13F
B	E1705123A	彈片位置變更	05/23/2017	.XX ±0.10 .XXX ±0.05	TITLE: SIM CARD 卡座 板上1.35H
A	NEW	02/24/2017	SCALE: 4/1	.XX' ±1.00' .XXX' ±0.50'	DRAWING NO:
REV.	ECN NO.	DESCRIPTION	DATE	SHEET: 3/4	MATERIAL:
				REV. A	FINISH: SEE NOTE





16 PCS EMPTY      PACKING Q' TY:900PCS      16 PCS EMPTY



- 注: 1. 模具开口单边需成30度 / 深0.50mm的倒角  
 2. 所有未注拔模角度5度  
 3. 设定模数204模  
 4. 10个边孔的累计公差不能超过±0.2mm.  
 5. 材料规格: PS 透明材料, 厚度 0.35mm.  
 6. 13英寸卷轮卷装长度:22.368米,  
 7. 13英寸卷轮包装零件总颗数:900PCS.  
 8. 所有尺寸设计参照EIA-481-C-2003.  
 9. 载带在250mm长度以内最大弯曲度不超过1mm.

				UNITS: mm	GENERAL TOLERANCE		DRAW:	PART NO:
				DATE: 02/13'17	X. ±0.30	X.* ±2.00*	CHECKED:	TITLE:
				SCALE: N/A	.X ±0.20	.X* ±1.00*	APPROVE:	DRAWING NO:
				REV. A	.XX ±0.10	.XX* ±0.50*		SIM CARD -PACKING
				SHEET: 4/4	.XXX±0.05	.XXX*±0.10*		
A		NEW	02/24'2017	MATERIAL: SEE NOTE	昆山捷皇电子精密科技有限公司 HONGRIDA ELECTRONIC TECHNOLOGY CO.,LTD.			
REV.	ECN NO.	DESCRIPTION	DATE	FINISH: SEE NOTE				