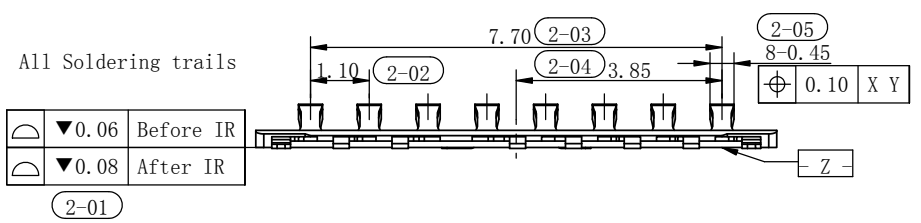


- NOTES:
- MATERIAL:  
HOUSING: THERMOPLASTIC, UL94V-0, COLOR BLACK;  
CONTACT: COPPER ALLOY
  - FINISH:  
CONTACT: 15u" Min. Au PLATING ON CONTACT AREA  
3-8u" Au PLATING ON SOLDER AREA  
50-300u" Ni ANDERPLATING OVER ALL
  - PRODUCT SPECIFICATIONS:  
VOLTAGE RATING: 10V  
CURRENT RATING: 0.3A PER PIN  
INSULATION RESISTANCE: 1 GOHM MIN  
CONTACT RESISTANCE: 50mΩ Max; S/W: 150mΩ Max.  
INITIAL, AFTER TEST: 175mΩ Max.  
OPERATION TEMPERATURE: -40° C TO +85° C  
DURABILITY: 3000 CYCLES.
  - DIMNSIONS WITH MARK " ▼ " INOICATE THE CRITICAL DIMENSIONS



1	Contact	1	C5240-SH T=0.08mm	15u" Min. Au PLATING ON CONTACT AREA 3-8u" Au PLATING ON SOLDER AREA 50-300u" Ni ANDERPLATING OVER ALL
	Housing	1	LCP, UL94V-0	Raw material, black
ITEM	NAME	Q' TY	MATERIAL	PLATING

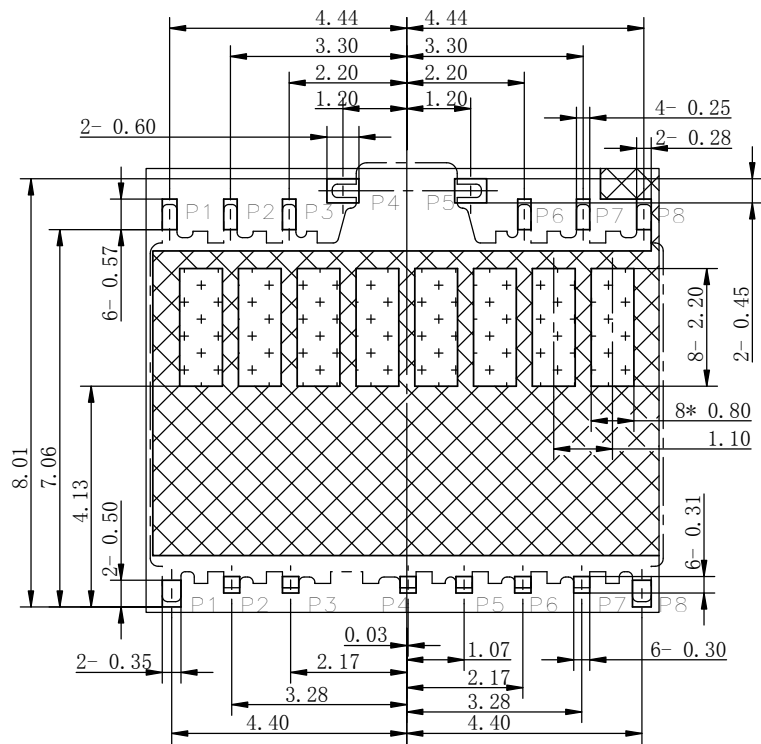
F	E1911648A	图面更新管控	2019.11.04	UNITS: mm	GENERAL TOLERANCE		DRAW:	PART NO:
E	E1907426A	更新平面度规格	2019.07.29	DATE: 07/14/2017	X. ±0.20	X' ±2.00'	CHECKED:	TITLE:
D	E1804100A	结构优化	2018.04.02	SCALE: 10/1	.X ±0.15	.X' ±1.00'	APPROVE:	DRAWING NO:
C	E1801028A	设变阻抗及D/C定义	2018.01.15	SHEET: 1/3	.XX ±0.10	.XX' ±0.5'	MATERIAL: Customer drawing	
REV.	ECN NO.	DESCRIPTION	DATE	REV. A	FINISH: SEE NOTE	昆山捷皇电子精密科技有限公司 HONGRIDA ELECTRONIC TECHNOLOGY CO., LTD.		

D/C PART NO

年: 7=2017年  
8=2018年  
9=2019年

日: 1=1日, 2=2日.....  
A=10日, B=11日.....  
(WITH OUT I, O, Z)

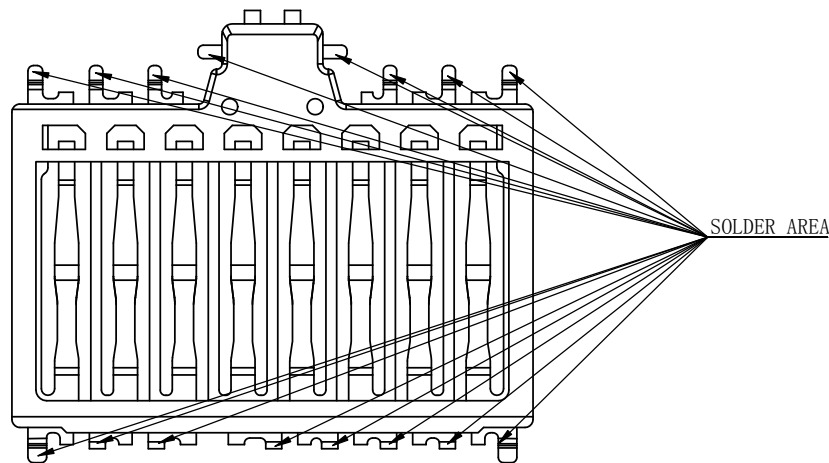
月: 1=1月, 2=2月.....  
A=10月, B=11月.....



SD Block PCB LAYOUT TOLERANCE:  $\pm 0.05$   
 STENCILS THICKNESS: 0.10  
 STEEL MESH RATIO: 1:1

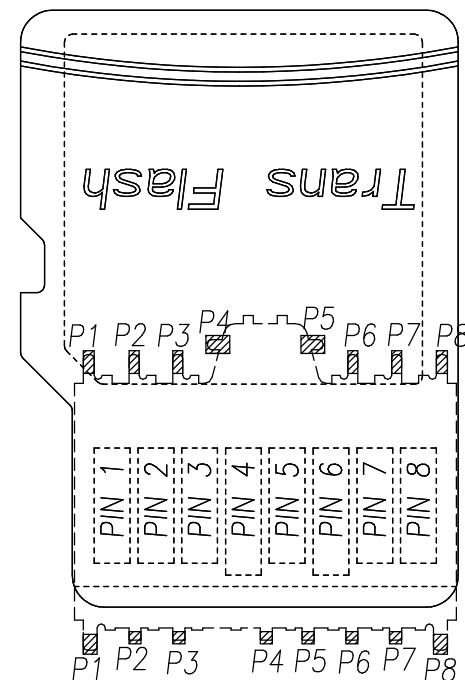
- Soldering Pad Area
- No Patterns
- Product outline
- KEEP OUT AREA

- 1.Touch area of contact tips, no electrical function and only for mechanical function
- 2.No first PCB-Layercircuit in the area



SD Block Pin Definition

Pin	NAME
P1, K1	DAT2
P2, K2	CD/DAT3
P3, K3	CMD
P4, K4	V <sub>DD</sub>
P5, K5	CLK
P6, K6	V <sub>SS</sub>
P7, K7	DAT0
P8, K8	DAT1



F	E1911648A	图面更新管控	2019.11.04	UNITS: mm	GENERAL TOLERANCE		DRAW:	PART NO:
E	E1907426A	更新平面度规格	2019.07.29	DATE: 07/14/2017	X. $\pm 0.20$	X.' $\pm 2.00'$	CHECKED:	TITLE:
D	E1804100A	结构优化	2018.04.02	SCALE: 10/1	.X $\pm 0.15$	.X' $\pm 1.00'$	APPROVE:	DRAWING NO:
C	E1801028A	设变阻抗及D/C定义	2018.01.15	SHEET: 2/3	.XX $\pm 0.10$	.XX' $\pm 0.5'$	MATERIAL: Customer drawing	
REV.	ECN NO.	DESCRIPTION	DATE	REV. A	FINISH: SEE NOTE		昆山捷皇电子精密科技有限公司 HONGRIDA ELECTRONIC TECHNOLOGY CO., LTD.	