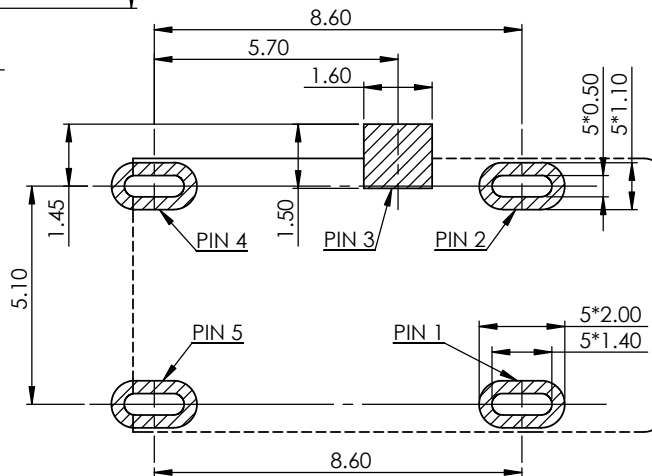
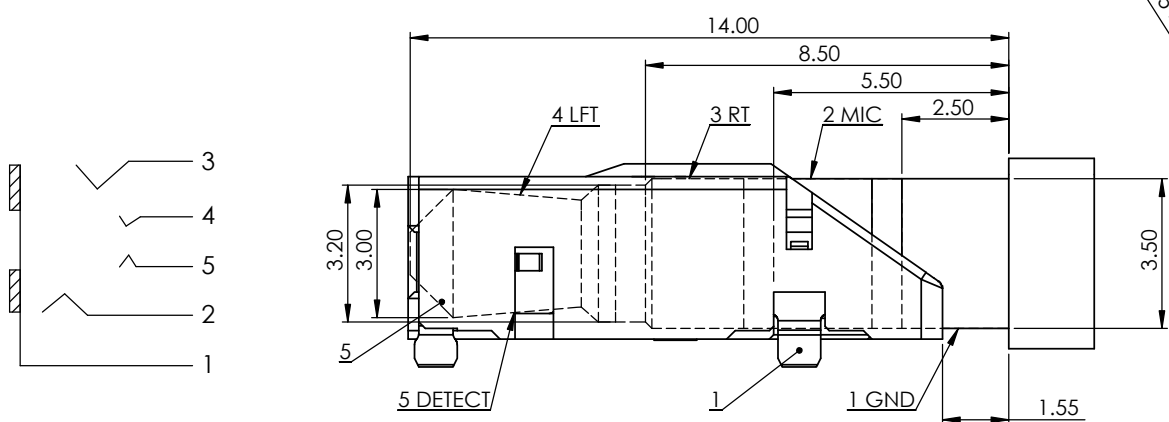
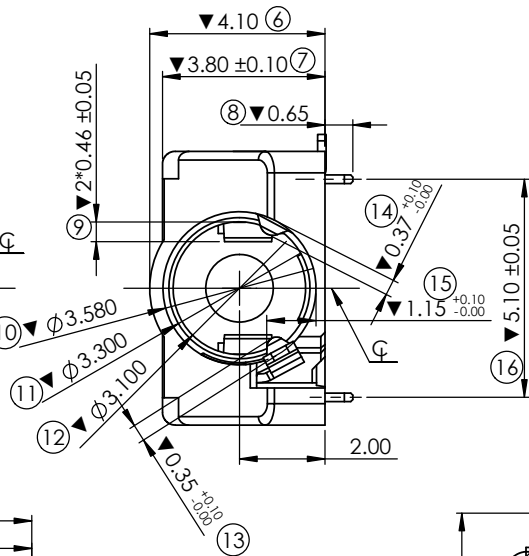
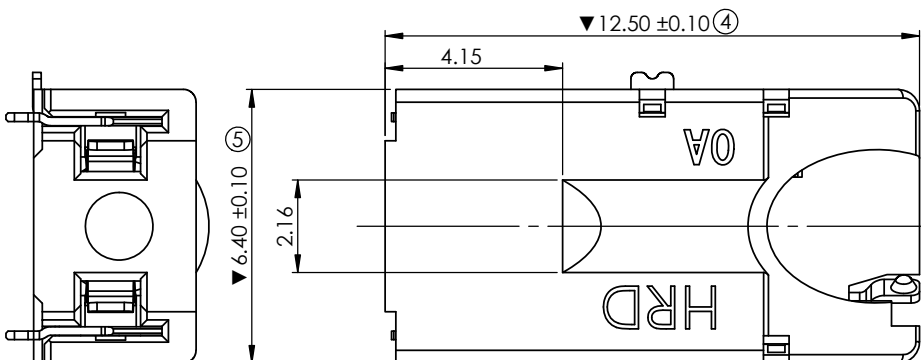
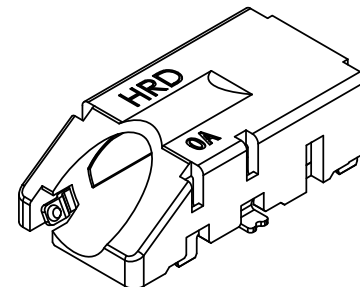
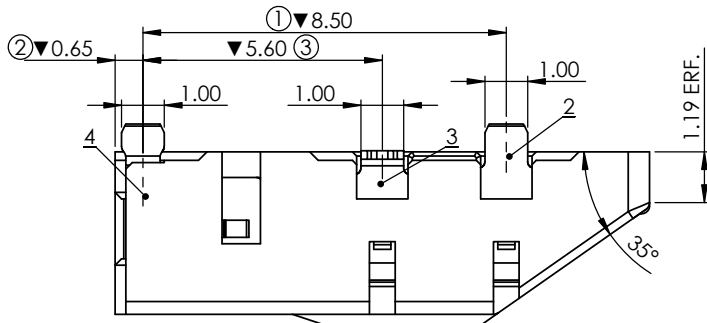


NO	DESCRIPTION
1	GND
2	MIC
3	RT
4	LET
5	DETECT



- NOTES:
 1.MATERIAL:
 BODY:PA 9T, BLACK, UL 94V-0
 TERMINAL: COPPER ALLOY, T=0.20mm
 2.FINISH:
 TERMINA: 50U" MIN Ni UNDER PLATING OVER ALL
 GOLD FLASH UNDER PLATING OVER ALL
 3.ALL DIMENSIONS MARKED ▼ MUST BE CONTROLLED BY QC
 4.ALL DIMENSIONS MARKER (XX) MUST BE MEASURE BY FAI.

REV.	ECN NO.	DESCRIPTION	DATE	REVISION	UNITS: mm	GENERAL TOLERANCE	DRAW:	PART NO:
A		NEW	03/08/2016	1/1		X. ±0.20 X' ±0.15 .XX ±0.10 .XXX ±0.05	CHECKED: APPROVE:	PH20-0A38F38E
						X" ±2.00 X' ±1.00 .XX ±0.50 .XXX ±0.05		TITLE: φ3.5MM PHONE JACK CONN. 板上直插型3#端子SMT · H=3.80mm
								DRAWING NO:
						MATERIAL:		
						FINISH: SEE NOTE		



昆山捷皇电子精密科技有限公司
 HONGRIDA ELECTRONIC TECHNOLOGY CO., LTD.