

0.06	炉前	C
0.08	炉后	

A

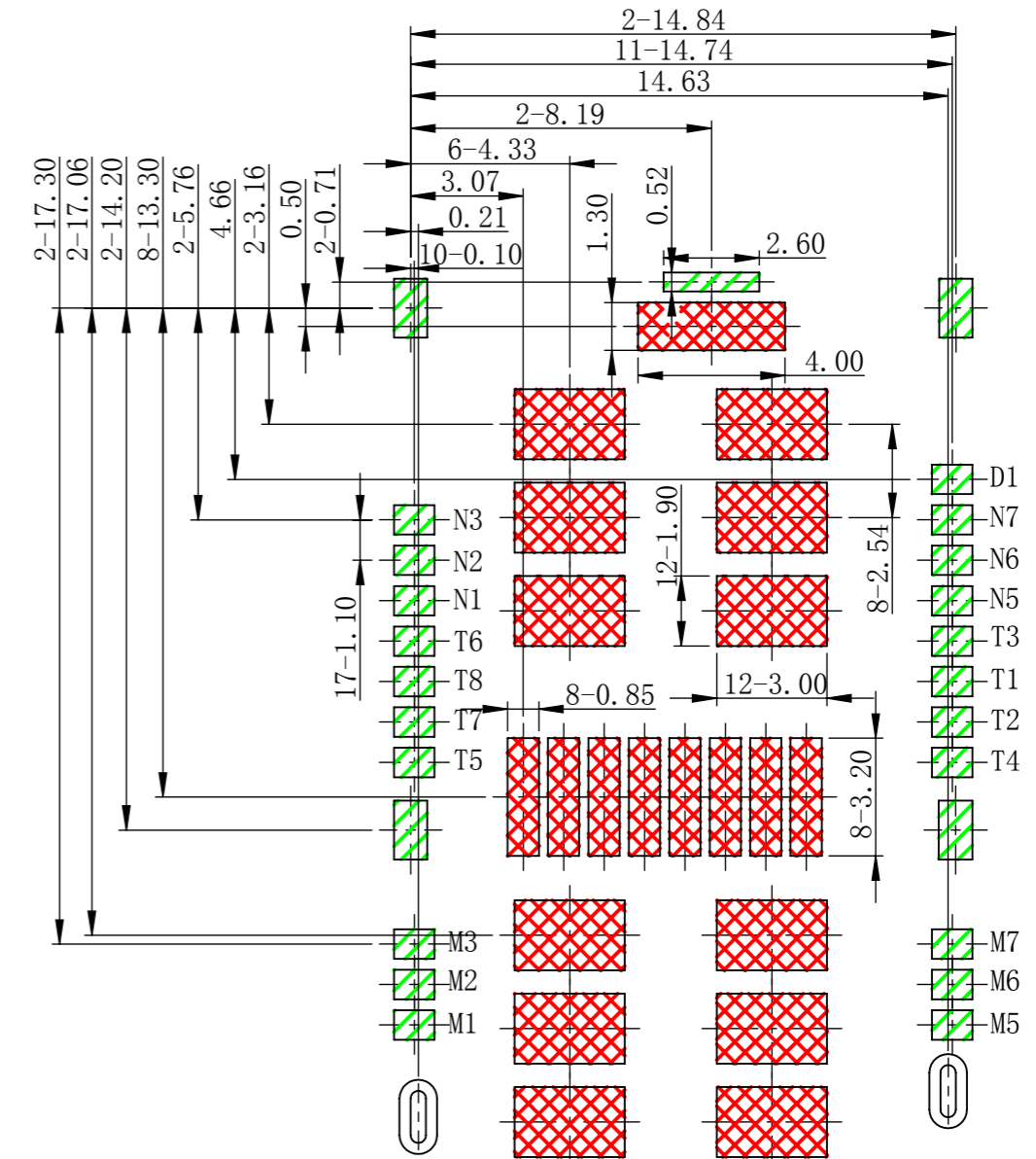
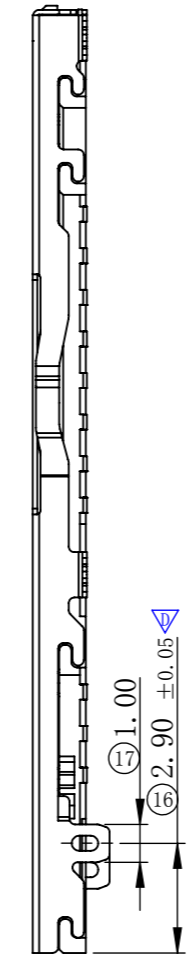
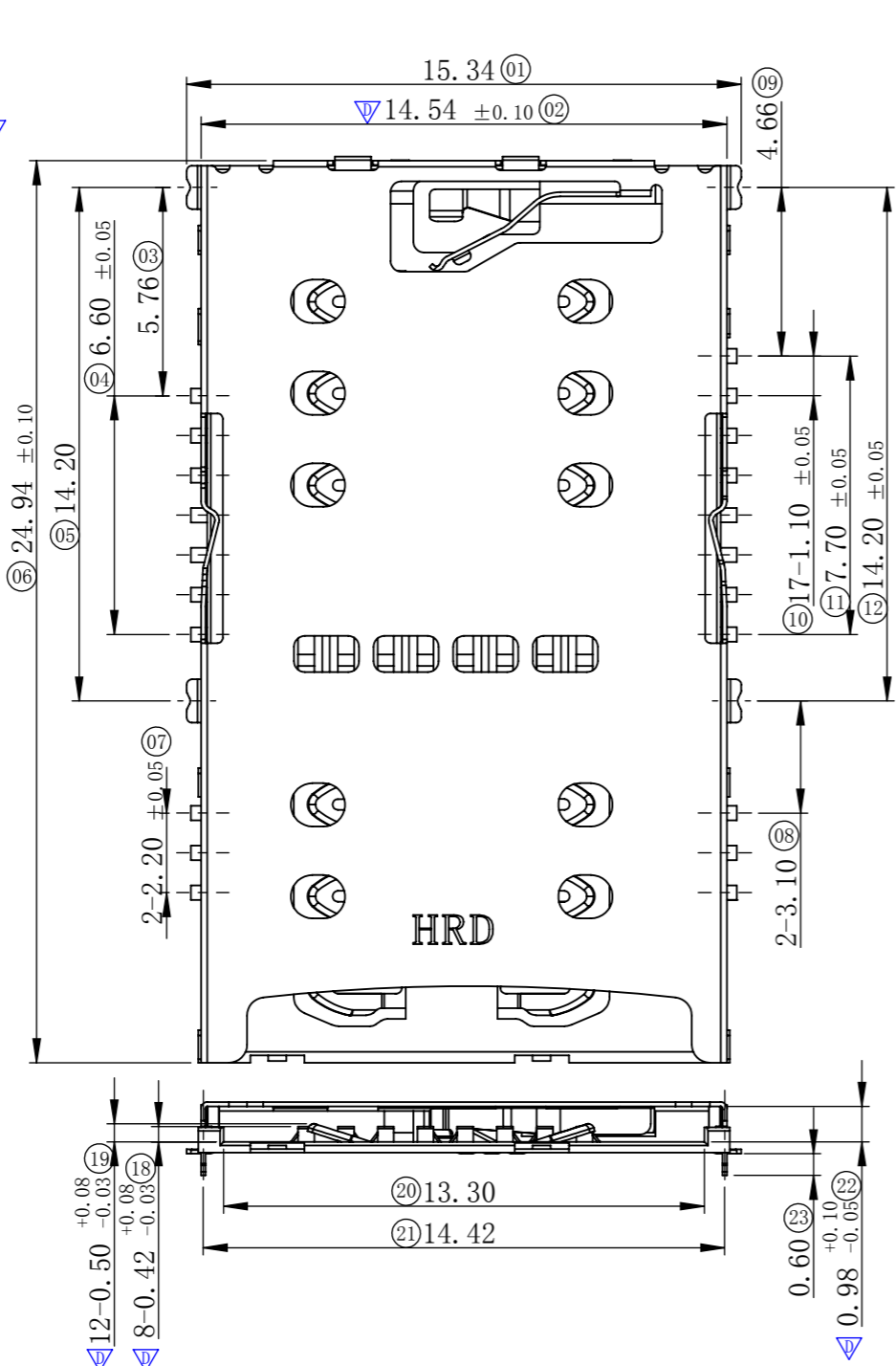
B

C

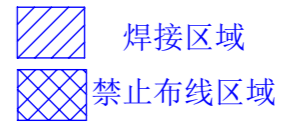
D

E

F



RECOMMEND PCB LAYOUT
 DEFAULT TOL: ±0.03mm
 RECOMMEND LADDER STEEL NET
 STEEL NET: 0.12mm



T-CARD PIN NO.	PIN NO.
T1	DAT2
T2	CD/DAT3
T3	CMD
T4	VDD
T5	CLK
T6	VSS
T7	DAT0
T8	DAT1
T-CARD PIN NO.	PIN NO.
N1/M1	VCC
N2/M2	RST
N3/M3	CLK
N5/M5	GND
N6/M6	VPP
N7/M7	I/O
D1	SWITCH

- NOTES:
- 材质:
 塑胶:LCP, BLACK, UL94 V-0
 端子:C5240-SH, T=0.10mm, 整体最少50U" NI焊接区和接触区1~3U" AU
 铁壳:不锈钢, T=0.12mm, 整体最少50U" NI, 焊接区1~3U" AU
 - 量测定义:
 ▽为日检验尺寸
 ▽为周检验尺寸
 ▽为月检验尺寸
 - 电气参数:
 4-1. 额定电流:0.5A/PIN(SIGNAL CONTACT)
 4-2. 额定电压:30V AC/DC PER CONTACT
 4-3. 接触阻抗: 100mΩ MAX.
 4-4. 耐电压:500V AC 1 MIN.
 4-5. 绝缘阻抗:100 MΩ MIN.
 - 机械参数:
 5-1. 正向力: 30-100gf
 5-2. 插拔力:1.2KG MAX.
 5-3. 寿命:1000 CYCLES.
 - 盐雾测试: 24H MIN
 - 环境测试: GP PASSED ACCORD WITH HRD-RoHS-219 STANDARD.

REV.	ECN NO.	DESCRIPTION	DATE	UNITS: mm	GENERAL TOLERANCE	DRAW:	PART NO:
C	E1807056A	设变端子弹高	07/03/2018	DATE: 07/06/2016	X. ±0.20 .X ±0.15 .XX ±0.10 .XXX ±0.05	X° ±2.00° .X° ±1.00° .XX° ±0.50°	S150-2B21F13A
B	E1706154A	侦测PIN弹高加高	06/09/2017	SCALE: 5:1			NAME: 1.35H 3 choose 2 card
A		NEW	07/06/2016	SHEET: 1/1	TITLE: 客户图面		DRAWING NO: C-S150-0000
REV.	ECN NO.	DESCRIPTION	DATE	REV. A	FINISH: SEE NOTE		

昆山捷皇电子精密科技有限公司
 HONGRIDA ELECTRONIC TECHNOLOGY CO.,LTD.

A

B

C

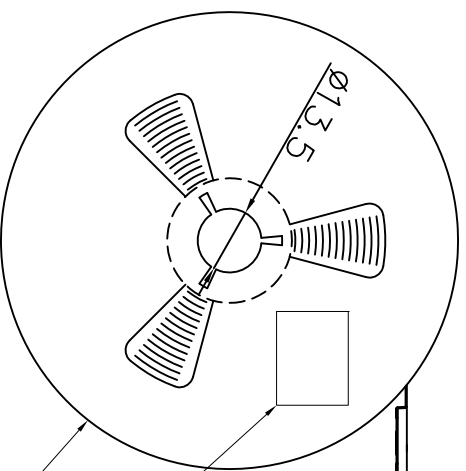
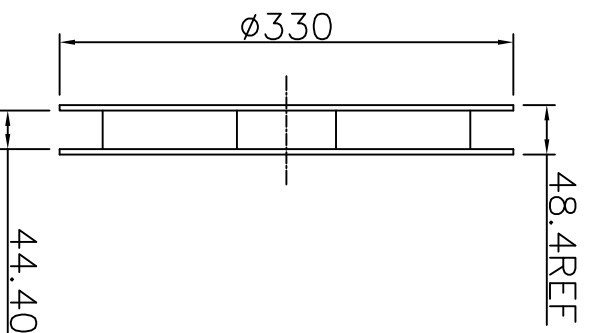
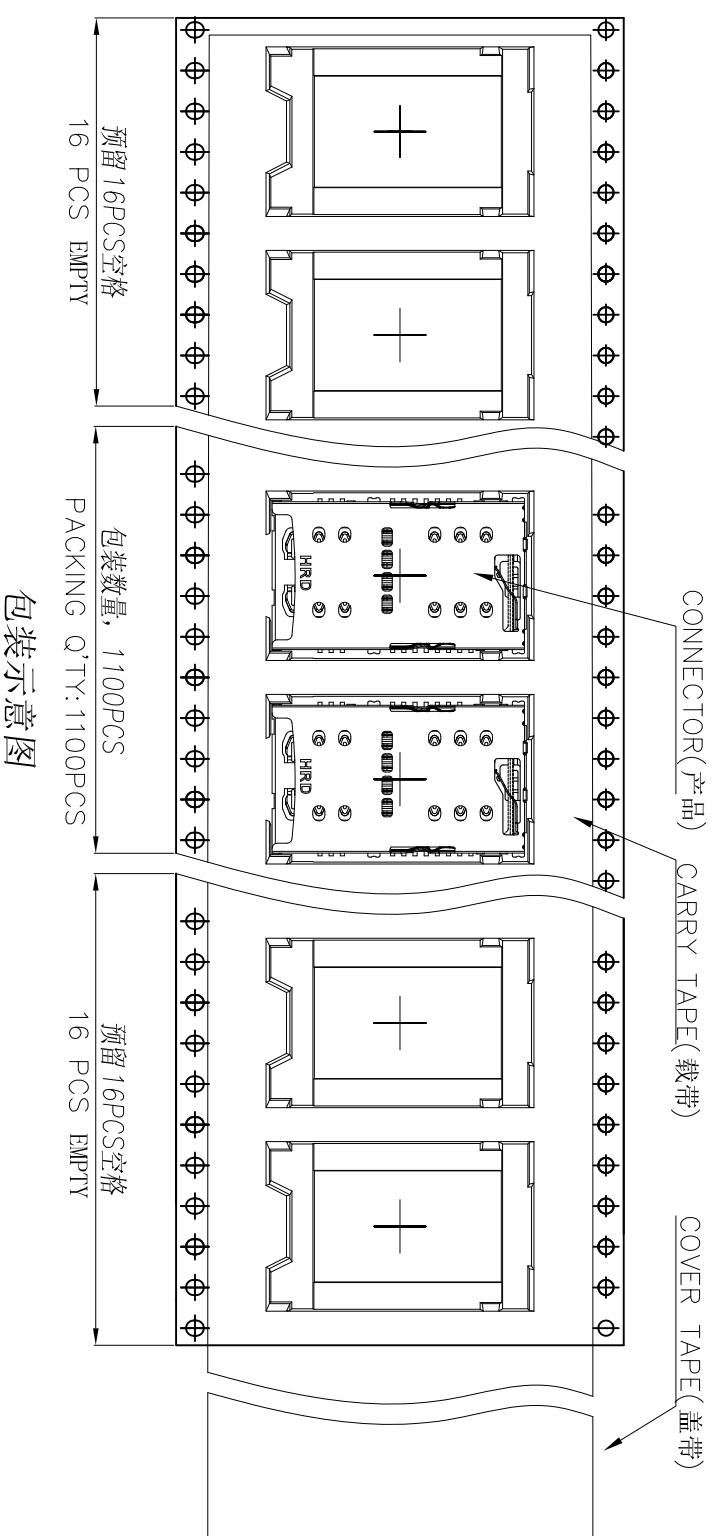
D

E

F

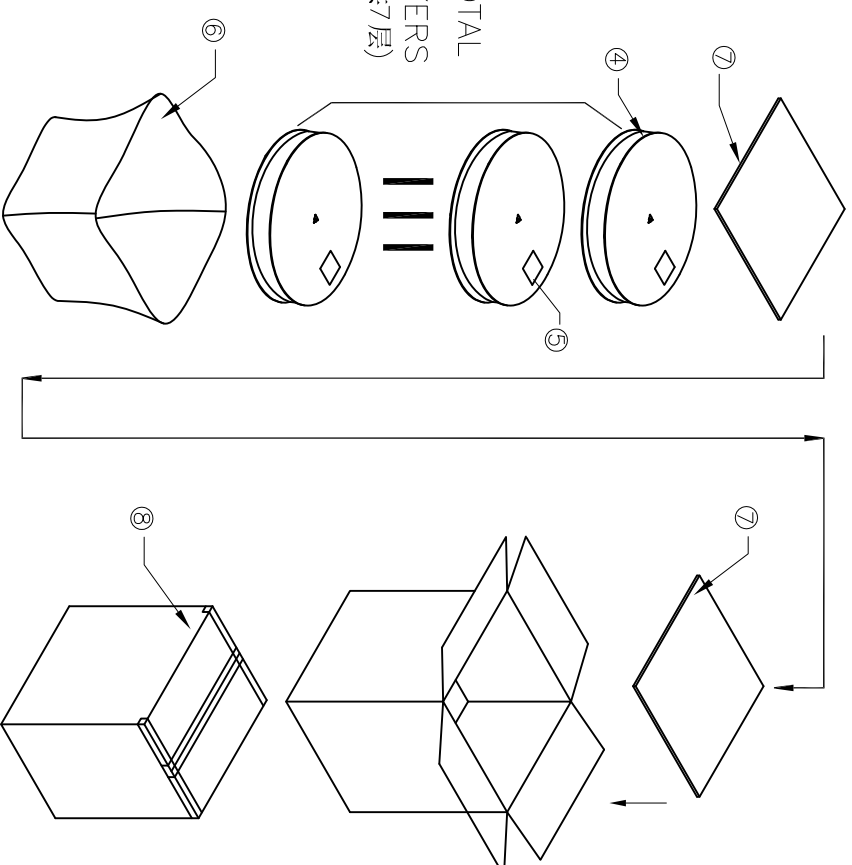
1 2 3 4 5 6 7 8

(The expected direction) 出料方向



carry tape(盖带)

TOTAL
7LAYERS
(总共7层)



BOM:

NO.	NAME	P/N	SPEC.	Q'TY
①	SIM CARD (产品)	S150-2B21F13A	SMT	7700PCS
②	CARRY TAPE (载带)	R44-S1501300	PET,W=44.0,P=20.00	23.296m
③	COVER TAPE (盖带)	C44-01000001	PE,W=37.5,T=0.05	23.296m
④	REEL (卷盘)	P44-01100000	Ø330,H=44.0	7PCS
⑤	LABEL (标签)	L01-01000000		7PCS
⑥	PE袋	G01-10100000	600*700	1PCS
⑦	隔板	D02-01000000	330*330*3	2PCS
⑧	纸箱	W01-01000000	350*350*390	1PCS

UNITS: mm	GENERAL TOLERANCE	DRAW:	PART NO: P-S150-2B21F13A
DATE: 07/22/2017	X: ±0.30 Y: ±0.20	CHECKED:	TITLE: 1.3H MICRO SIM CARD CONN.
SCALE: N/A	.XX ±0.10 .XXX ±0.05	APPROVE:	DRAWING NO:
SHEET: 1/1	MATERIAL: 包装规范	昆山捷皇电子精密科技有限公司 HRD ELECTRONIC TECHNOLOGY CO.,LTD.	
REV. A	ECN NO.	DESCRIPTION	DATE
A	—	NEW	07/22'2017
B	E1809377A	重新发行图面	01/29'2016