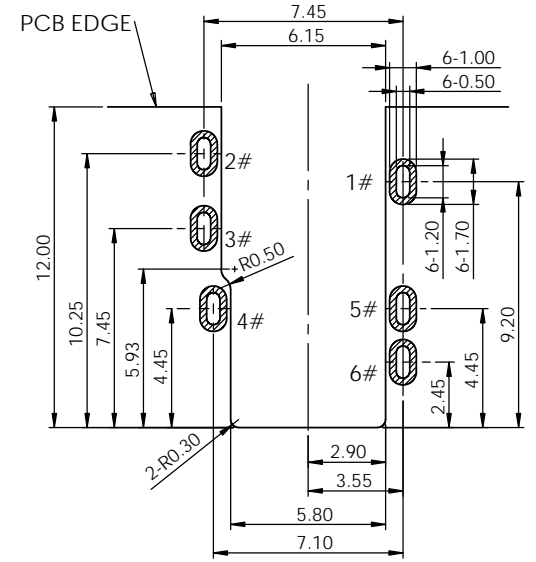
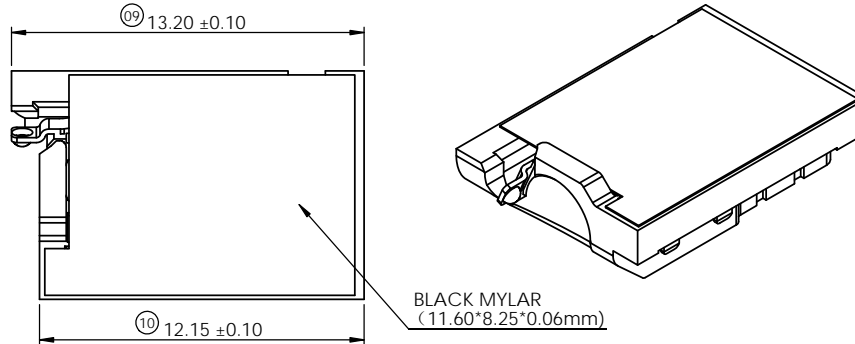
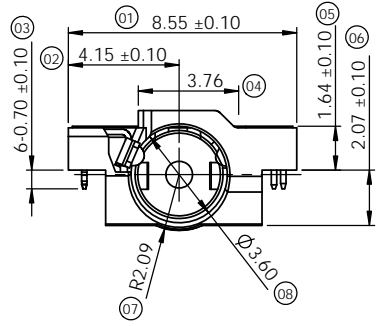


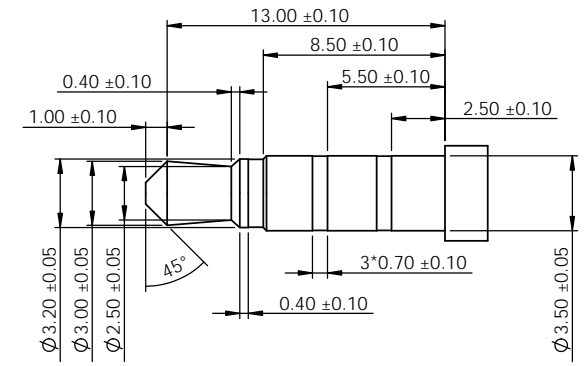
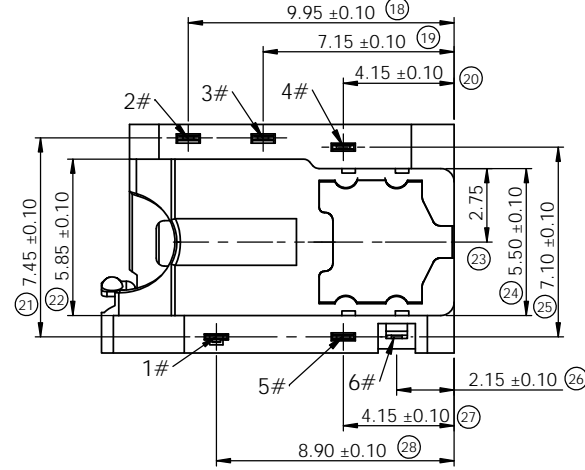
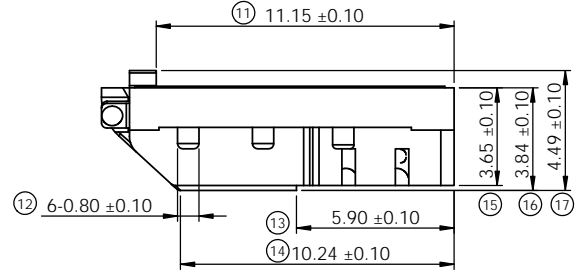
HOUSING	PA9T	BLACK,UL 94V-0	1
Mylar	KAPTON T=0.06mm	/	1
GND	STEEL T=0.12mm	50U" MIN Ni UNDER PLATED OVER ALL 5U" MIN AU ON CONTACT AREA 1U" MIN AU ON SOLDER AREA	1
DETECT	STEEL T=0.20mm		1
L AUDIO	STEEL T=0.20mm		1
R AUDIO	COPPER ALLOY T=0.20mm		1
GND	COPPER ALLOY T=0.20mm		1
MIC			1
NAME	MATERIAL	FINISH	Q'TY



P.C.B LAYOUT (TOLERANCE:±0.05)




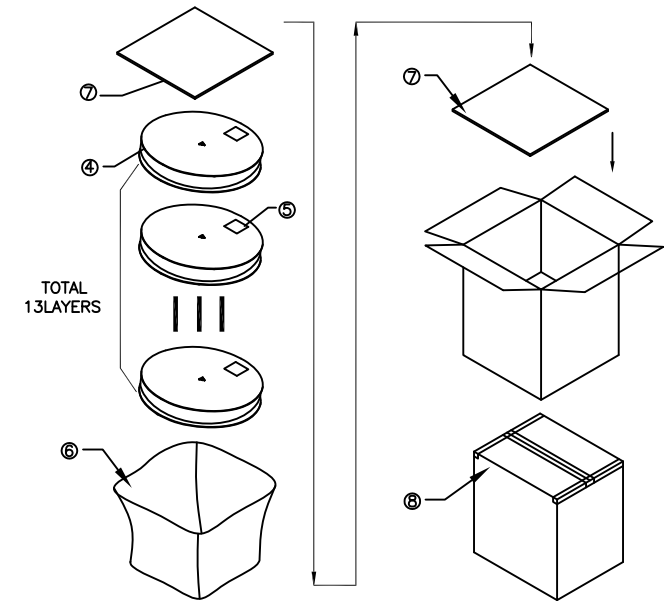
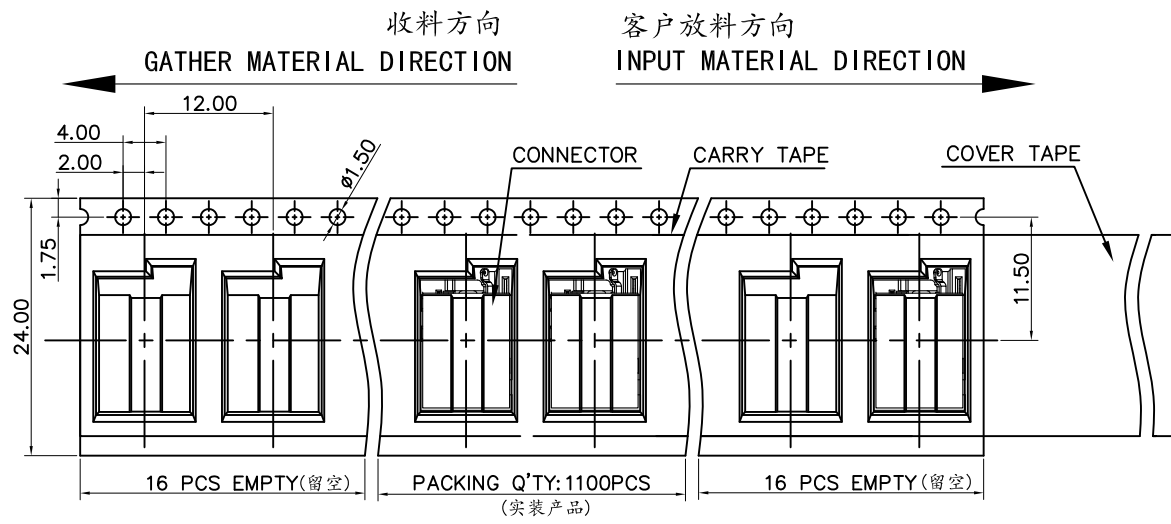
PLUG MATED DIMENSION



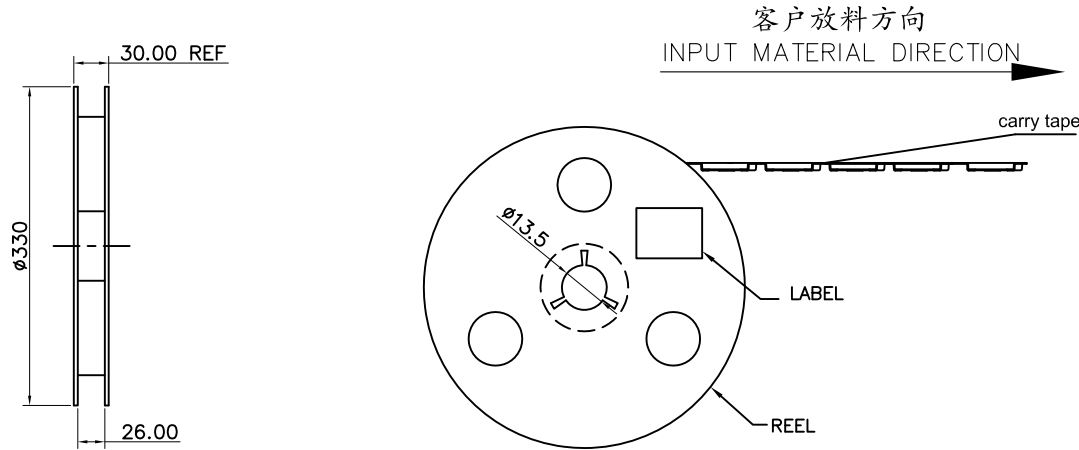
APPLICABLE PLUG

- NOTES:
 1. ALL DIMENSIONS MARKED (XX) MUST BE MEASURE BY FAI
 2. PRODUCT SPECIFICATIONS:
 2-1 WITHSTANDING: 500V AC/MINUTE
 2-2 INSULATION RESISTANCE: 100 MEGOHM Min.
 2-3 CONTACT RESISTANCE: 50 MILLIOHM (initial) Max.
 2-4 MATING AND UNMATING FORCE : 0.8-2.0 Kgf . (BTFORE DURABILITY)
 2-5 MATING AND UNMATING FORCE : 0.66-2.0 Kgf . (AFTER DURABILITY)
 2-6 OPERATION TEMPERATURE : -25° TO +85°
 2-7 STORAGE TEMPERATURE: -25° TO +85°
 2-8 DURABILITY : 5000 CYCLES

				UNITS: mm	GENERAL TOLERANCE		DRAW:	PART NO:
				DATE: 05/23/2018	X. ±0.38	X.' ±2.00'	CHECKED:	PH126-0B22A49M
				SCALE: 5/1	.X ±0.25	.X' ±1.00'	APPROVE:	NAME: Ø3.50MM PHONE JACK CONN.
				SHEET: 1/1	.XX ±0.13	.XX' ±0.50'		DRAWING NO: C-PH126-0000
REV.	ECN NO.	DESCRIPTION	DATE	REV.	FINISH: SEE NOTE		 昆山捷皇电子精密科技有限公司 HONGRIDA ELECTRONIC TECHNOLOGY CO., LTD.	



PH126-0B22A49M & 包装示意图



BOM:

NO.	NAME	P/N	SPEC.	Q'TY
①	PHONE JACK	PH126-0B22A49M	DIP	14300PCS
②	CARRY TAPE	R24-PH1264900	PET,W=24.0,P=12.0	178.464m
③	COVER TAPE	C24-01000003	PE,W=21.3,T=0.05	178.464m
④	REEL	P24-01100000	ø330,H=24.0	13PCS
⑤	PE袋	G01-00907007	L900*W700*0.07mm	1PCS
⑥	纸箱	W01-01353539	350*350*390	1PCS

NO.	DESCRIPTION	MAT,L	COLOR	REMARK
1	R24-PH1264900	PET	WHITE	

				UNITS: mm	GENERAL TOLERANCE	DRAW:	PART NO: P-PH126-0B22A49M	
				DATE: 05/18'2018	X. ±0.20 .X' ±0.15 .XX ±0.10 .XXX ±0.05	X. ±2.00' .X' ±1.00' .XX' ±0.50'	CHECKED:	NAME: ø 3.5MM PHONE JACK CONN.
				SCALE: N/A			APPROVE:	DRAWING NO:
REV. A	ECN NO.	DESCRIPTION	DATE	SHEET: 1/1	TITLE: PH126包规			
				REV. A	FINISH:			


 昆山捷皇电子精密科技有限公司
 HRD ELECTRONIC TECHNOLOGY CO.,LTD.