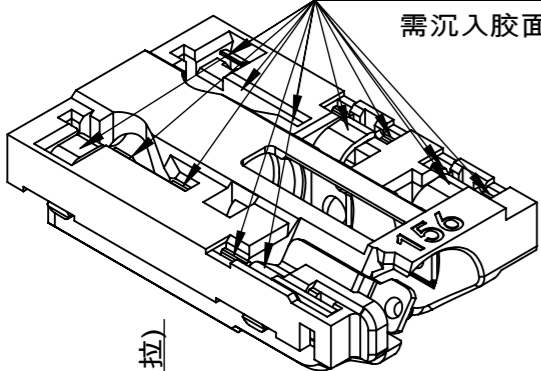
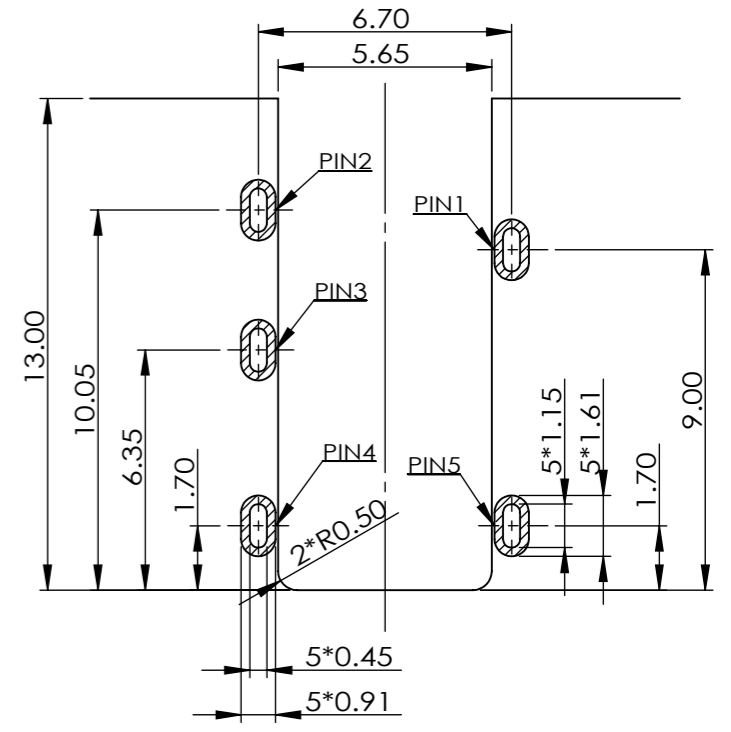


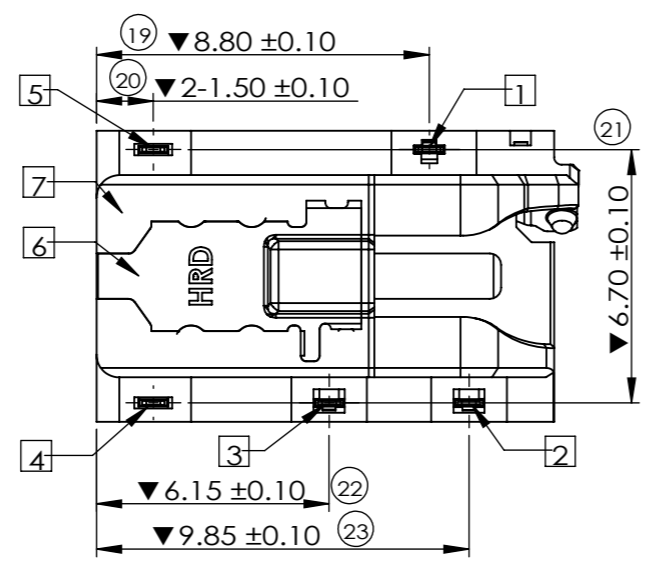
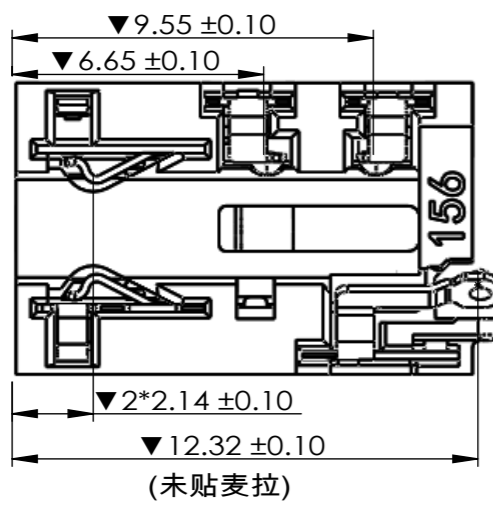
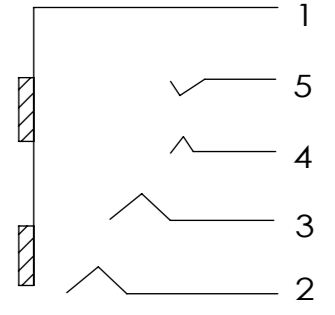
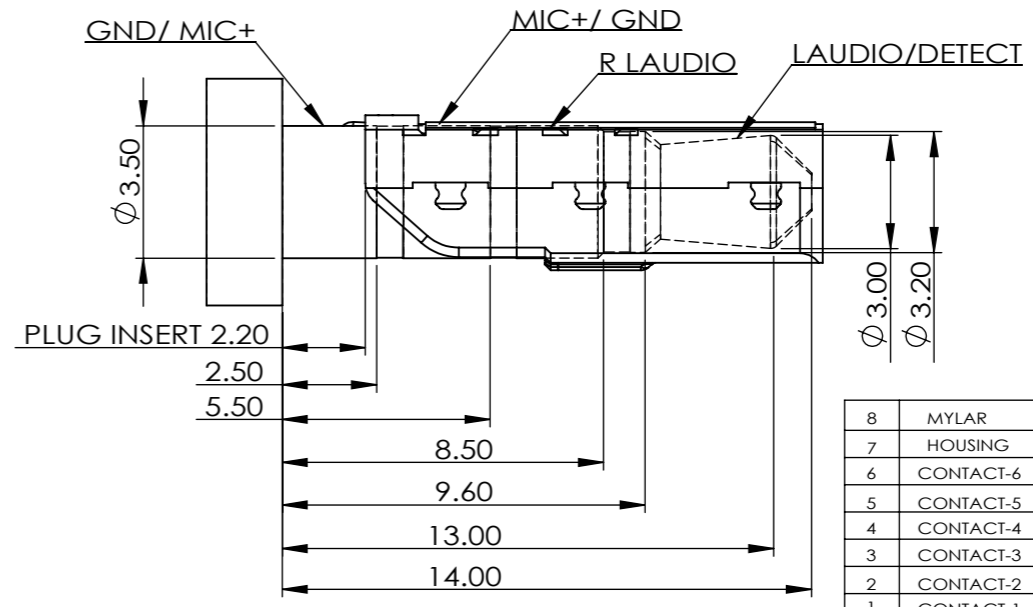
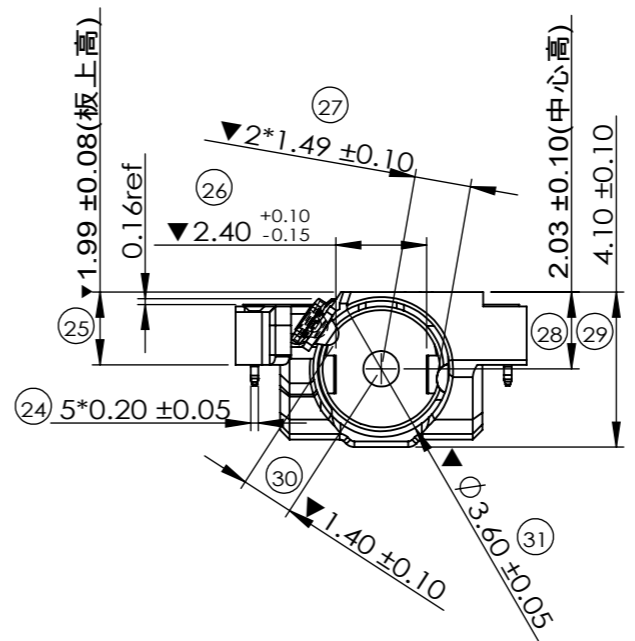
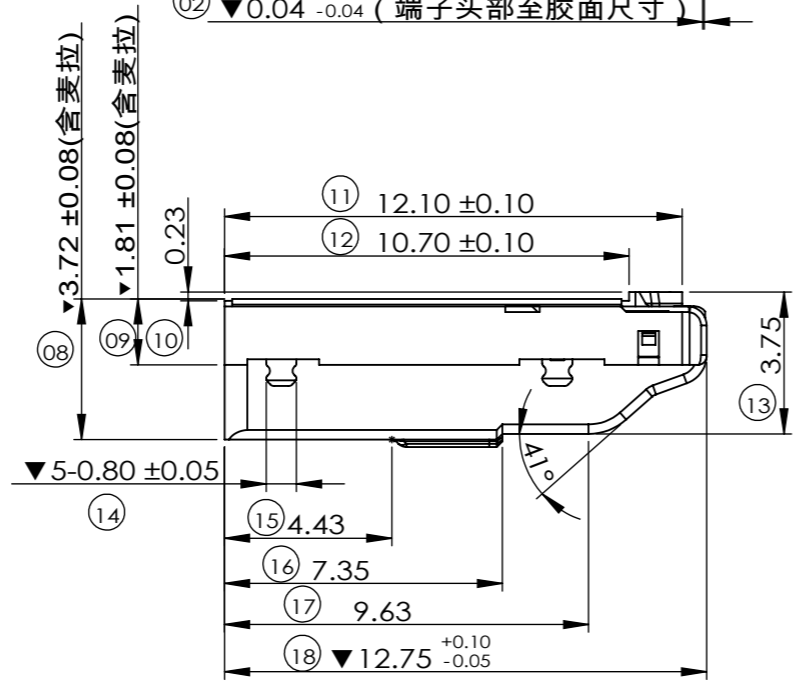
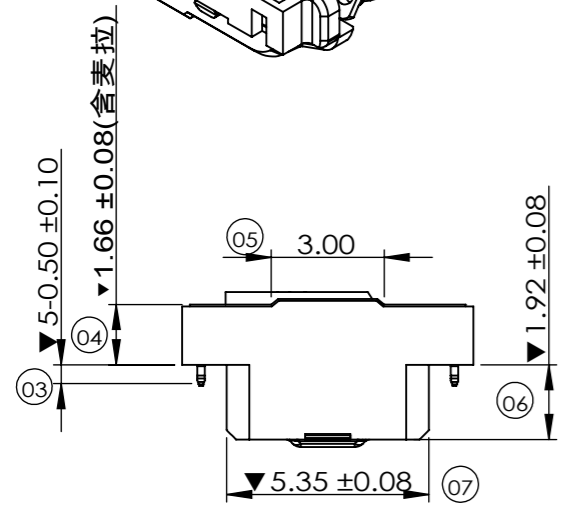
所有端子预断/折弯不得超出胶面
需沉入胶面0.05MIN(5X)



NO.	DESCRIPTION
1	GND / MIC+
2	MIC+ / GND
3	R AUDIO
4	L AUDIO / DETECT
5	DETECT / L AUDIO



PCB LAYOUT(TOP VIEW)
SCALE 5 : 1(TOLERANCE±0.05)



NOTES:
1.MATERIAL:
HOUSING:PA 9T,BLACK,UL 94 V-0
CONTACT:SEE TABLE
2.FINISH:
3u" Min Au PLATING ON CONTACT AREA
1u" Min Au PLATING ON SOLDER AREA
50u" Ni UNDER PLATING OVER ALL
3.ALL DIMENSIONS MARKED ▼ MUST BE CONTROLLED BY QC
4.ALL DIMENSIONS MARKED (XX) MUST BE MEASURE BY FAI
5.PRODUCT SPECIFICATIONS:
5-1 WITHSTANDING VOLTAGE: 500V AC/MINUTE
5-2 CONTACT RESISTANCE: 50 mΩ Max.
5-3 INSULATION RESISTANCE: 1000 MΩ Min.
5-4 BEFORE DURABILITY : MATING FORCE : 8-20 N.
UNMATING FORCE : 8-20 N.
5-5 AFTER DURABILITY:MATING FORCE : 8-20 N.
UNMATING FORCE:8-20 N.
5-6 OPERATION TEMPERATURE : -55° TO +85°
5-7 STORAGE TEMPERATURE: -40° TO +85°
5-8 DURABILITY : 10000 CYCLES

NO.	Parts Name	Q'TY	Material	Finish	Remarks
8	MYLAR	1	CAPTON	Black	
7	HOUSING	1	PA9T	UL94 V0	Black
6	CONTACT-6	1	SUS304		T=0.15
5	CONTACT-5	1	SUS304	Ni+Au	T=0.20
4	CONTACT-4	1	SUS304	Ni+Au	T=0.20
3	CONTACT-3	1	C5210-H	Ni+Au	T=0.20
2	CONTACT-2	1	C5210-H	Ni+Au	T=0.20
1	CONTACT-1	1	C5210-H	Ni+Au	T=0.20

REV.	ECN NO.	DESCRIPTION	DATE	REV.	FINISH:	SEE NOTE	DRAW:	PART NO:	
A		NEW	10/29/2019	A				PH156-0B18A41M	
				UNITS: mm		GENERAL TOLERANCE		DRAW: _____	
				DATE: 10/21/2019		X. ±0.25 X.° ±2.00		CHECKED: _____	
				SCALE: 5 / 1		.X ±0.20 .X° ±1.00		NAME: φ3.50MM PHONE JACK CONN.	
						.XX ±0.15 .XX° ±0.50		APPROVE: _____	
						.XXX ±0.08		DRAWING NO: C-PH156-0001	
				SHEET: 1 / 1		TITLE: Customer Drawing			
				REV. A					