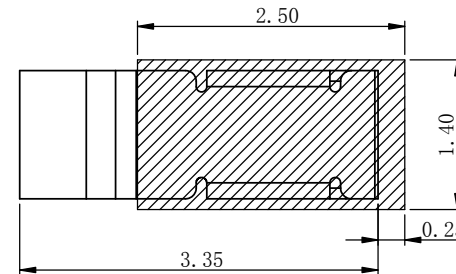
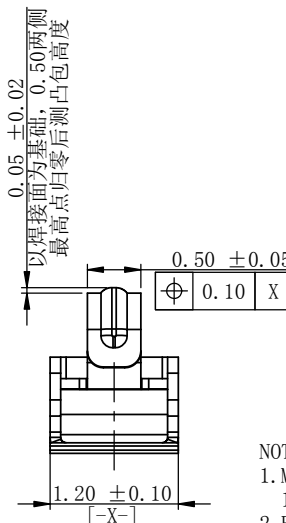
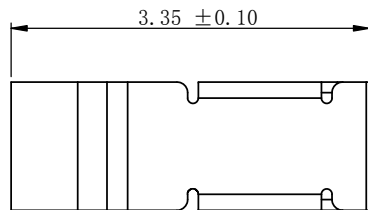
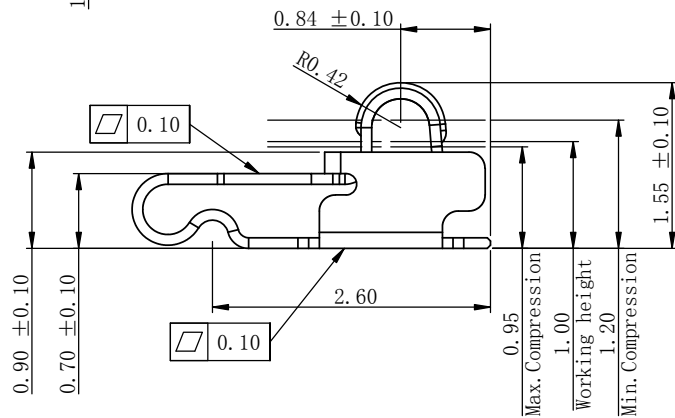
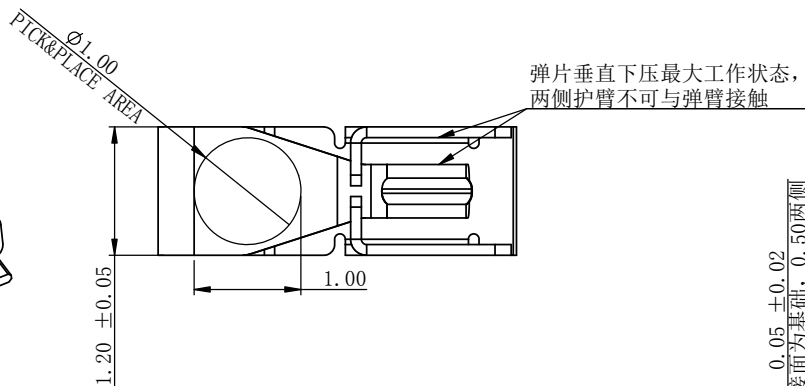


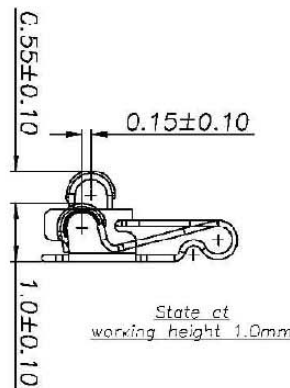
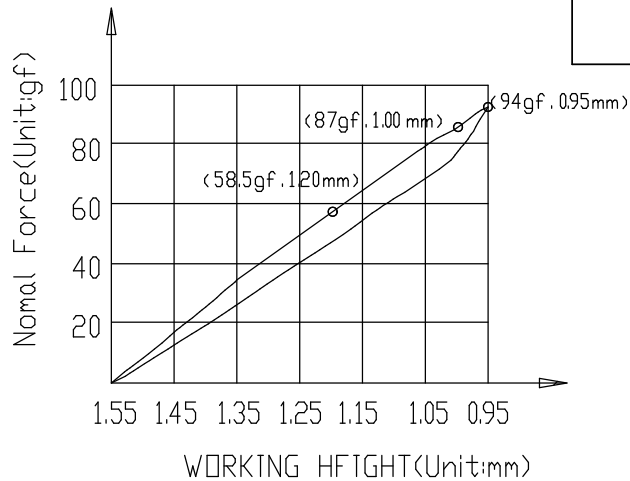
3D VIEW




RECOMMENDED PCB LAYOUT
TOLERANCE ± 0.05MM

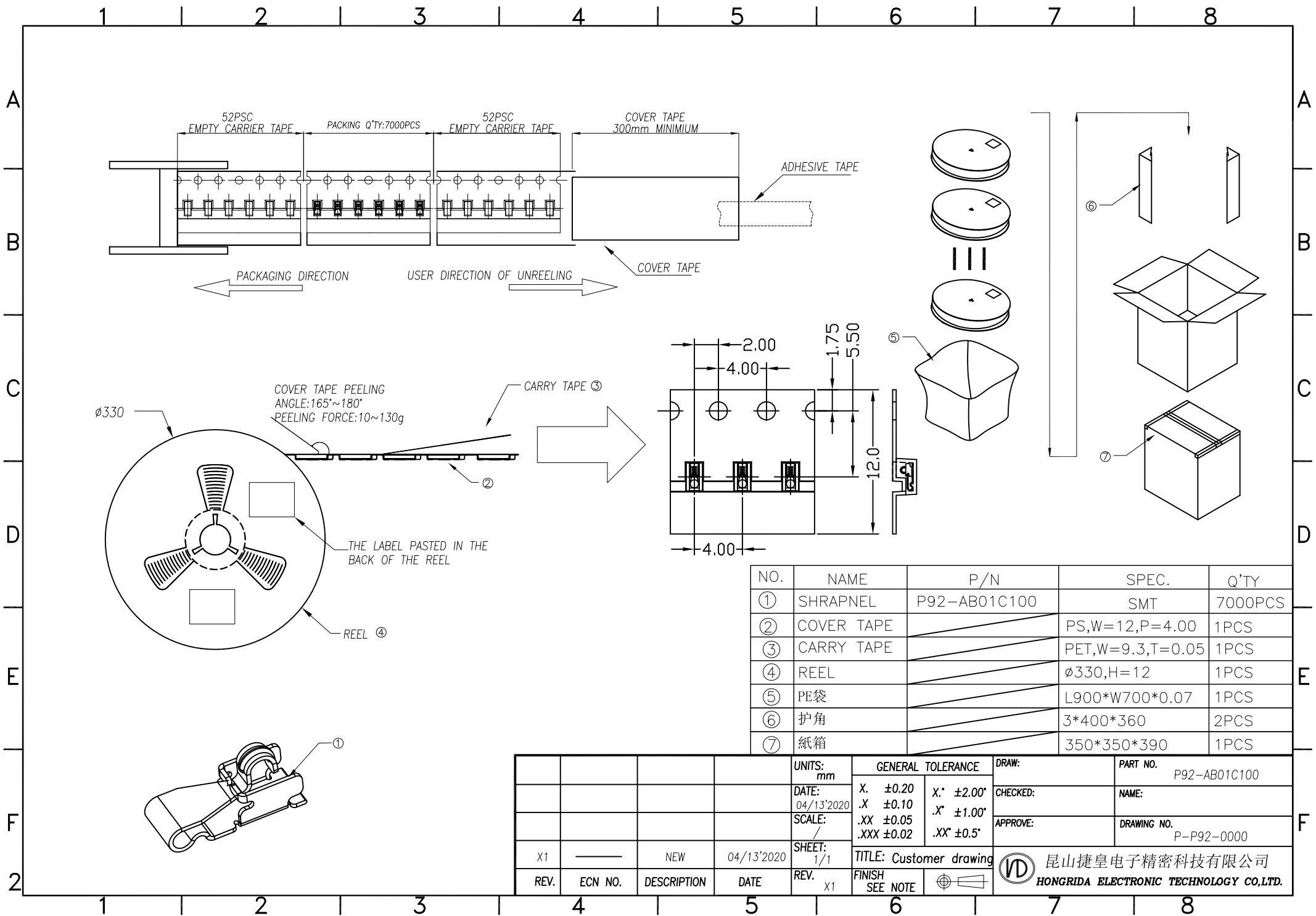
NOTES:

- MATERIAL:
 - 1-1: SUS301-EH, T=0.10mm
- FINISH:
 - 2-1: 15u"MIN Au PLATING ON CONTACT AREA, 1u"MIN Au PLATING ON SOLDER TAILS, 50u"~150u" NICKEL UNDERPLATING OVER ALL.
 - 2-2: DIMENSIONS WITHOUT TOLERANCE PLEASE REFER TO TOLERANCE TABLE STRUCTURE WITHOUT DIMENSIONS PLEASE REFER TO 3D DRAWING.
 - 2-3: DIMENSIONS OF PCB PAD AND STENCIL ARE FOR REFERENCE ONLY, CUSTOMERS CAN MODIFY IF BY THEIR OWN.
 - 2-4: THE BURRS IS NOT MORE THAN 0.03MM.
- SPECIFICATIONS:
 - 3-1. RATING CURRENT: 2A.
 - 3-2. RATING VOLTAGE: 10V.
 - 3-3. CONTACT RESISTANCE: 50mΩ MAX.
 - 3-4. OPERATING TEMPERATURE: -45° C ~ +85° C.
 - 3-5. FORCE AT MAX. DEFLECTION: 0.70N Min ON WORKING HEIGHT.
- RE PERFORMANCE:
 - 4-1. IMPEDANCE: 500HM.
 - 4-2. VSWR: 1.5 MAX (DC~3GHz)
 - 4-3. INSERTION LOSS: 0.6dB MAX. (DC~3GHz)
- DURABILITY: 1500 CYCLES.
- PACKING SPECIFICATION: REEL&TAPE.



				UNITS: mm	GENERAL TOLERANCE	DRAW:	PART NO: P92-AB01C100
				DATE: 04/09/2020	X. ±0.35 X' ±2.00	CHECKED:	NAME: 弹片 3.35*1.20*1.55mm
				SCALE: 20/1	.XX ±0.10 .XX' ±0.50	APPROVE:	DRAWING NO: C-P92-0000
					.XXX ±0.05 .XXX' ±0.25		
X1		NEW	04/09/2020	SHEET: 1/1	TITLE: CUSTOMER-DRAWING		
REV.	ECN NO.	DESCRIPTION	DATE	REV. X1	FINISH: SEE NOTE	 昆山捷皇电子精密科技有限公司 HONGRIDA ELECTRONIC TECHNOLOGY CO., LTD.	





NO.	NAME	P/N	SPEC.	Q'TY
①	SHRAPNEL	P92-AB01C100	SMT	7000PCS
②	COVER TAPE		PS,W=12,P=4.00	1PCS
③	CARRY TAPE		PET,W=9.3,T=0.05	1PCS
④	REEL		∅330,H=12	1PCS
⑤	PE袋		L900*W700*0.07	1PCS
⑥	护角		3*400*360	2PCS
⑦	纸箱		350*350*390	1PCS

				UNITS: mm	GENERAL TOLERANCE		DRAW:	PART NO. P92-AB01C100
				DATE: 04/13'2020	X. ±0.20	X' ±2.00'	CHECKED:	NAME:
				SCALE: /	.X ±0.10	.X' ±1.00'	APPROVE:	DRAWING NO. P-P92-0000
X1		NEW	04/13'2020	SHEET: 1/1	TITLE: Customer drawing		昆山捷皇电子精密科技有限公司 HONGRIDA ELECTRONIC TECHNOLOGY CO.,LTD.	
REV.	ECN NO.	DESCRIPTION	DATE	REV. X1	FINISH SEE NOTE			