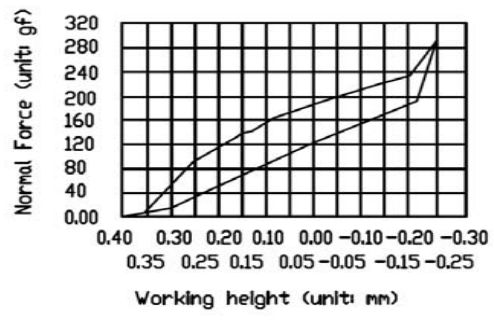
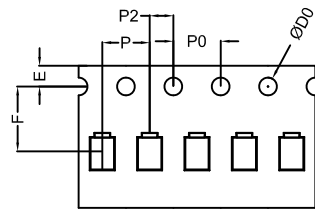
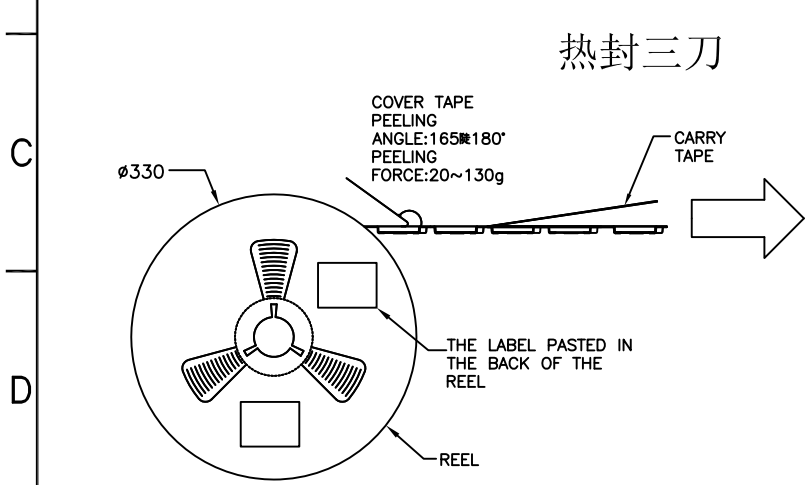
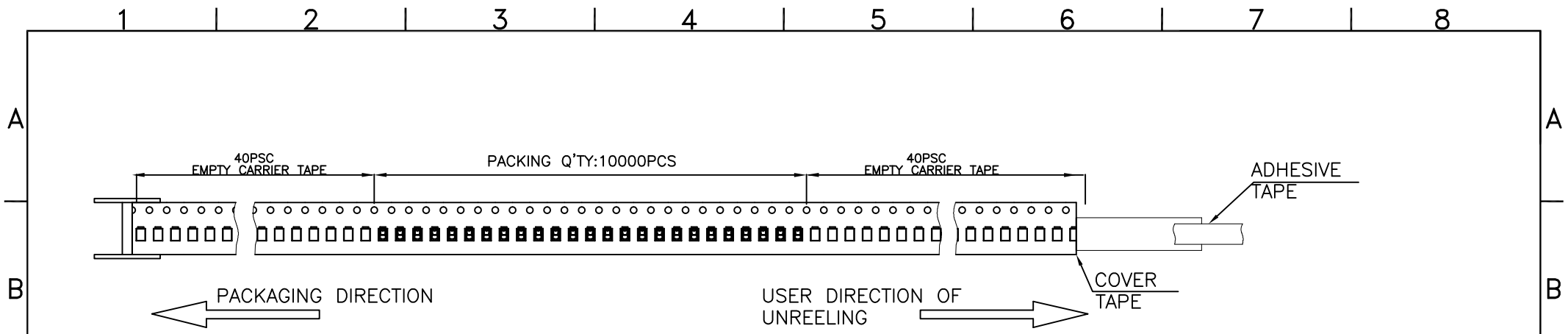


NOTE:

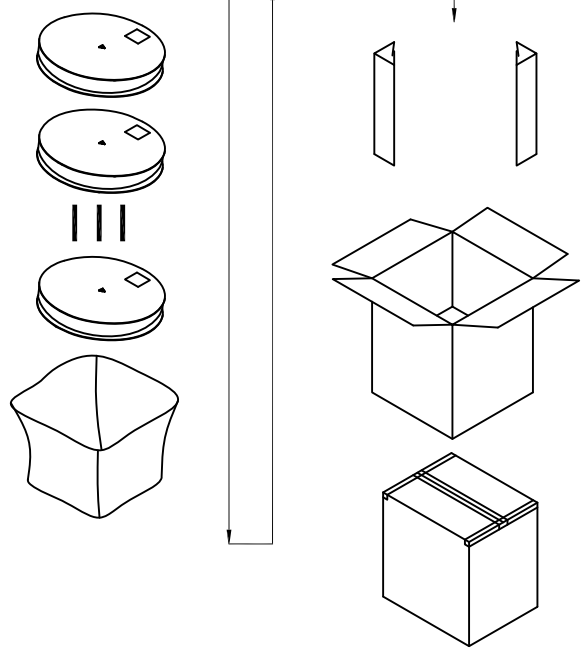
- MATERIAL:**
1-1: NKT322-EH/Y-CUT-FX-EH, T=0.10±0.01mm
- FINISH:**
2-1: 0.25um" MIN. Au PLATING ON CONTACT AREA.
0.76-7.6um" NI PLATING ON CONTACT AREA.
0.076-0.2um" MIN. Au PLATING ON SOLDER AREA.
2.0-7.6um" NI PLATING ON SOLDER AREA.
2-2: NOT WITH TOLERANCE WITH REFERENCE TO THE TOLERANCE TABLE, NOT A STANDARD SIZE REFERENCE 3D.
2-3: METAL MASK AND PCB LAYOUT DESIGN SIZE, FOR REFERENCE ONLY, ON THE BASIS OF CUSTOMER ACTUAL DESIGN.
- SPECIFICATIONS:**
3-1: RATING CURRENT: 2A
3-2: RATING VOLTAGE: 10V
3-3: CONTACT RESISTANCE: 30mΩ MAX. ΔR=20mΩ MAX.
3-4: OPERATING TEMPERATURE: -40° → +85°
3-5: FORCE OF 0.15mm: 0.7Nmin, ON CONTACT POINT.
- DURABILITY:** 1500 CYCLES, THE NORMAL FORCE IS 0.65N MIN.
- PACKING SPECIFICATION:** TAPE & REEL, PACKING REJECT RATIO LESS THAN 0.05%
- ENVIRONMENTAL POLICIES:**
ALL MATERIAL COMPLY WITH HUWEI SUBSTANCES LIST V5.0
- DIMENSIONS MARKED "▼" IS KEY DIMENSION;**
DIMENSIONS MARKED " " CPK) 1.33.



				UNITS: mm	GENERAL TOLERANCE		DRAW: P81-AB01B14F	PART NO: P81-AB01B14F
				DATE: 02/13/2020	X. ±0.20	X.' ±3.00'	CHECKED:	TITLE: H=1.35 Shrapne
				SCALE: 20/1	.X ±0.15	.X' ±2.00'	APPROVE:	DRAWING NO: C-P81-0000
					.XX ±0.10	.XX' ±1.00'		
					.XXX ±0.05	.XXX' ±0.50'		
A	NEW	02/20/2020	SHEET: 1/1	NAME: Customer chart				昆山捷皇电子精密科技有限公司 HONGRIDA ELECTRONIC TECHNOLOGY CO., LTD.
REV.	ECN NO.	DESCRIPTION	DATE	REV. A	FINISH: SEE NOTE			



P	4.00±0.10
P0	4.00±0.10
P2	2.00±0.10
øD0	1.50+0.1/-0
E	1.75±0.10
F	5.50±0.10
W	12.00±0.10



				UNITS: mm	GENERAL TOLERANCE		DRAW:	PART NO. P81-AB01B14F
				DATE: 02/05'2020	X. ?2.0	X.* ?2.0*	CHECKED:	NAME:
				SCALE: /	.X ?2.10	.X* ?2.00*	APPROVE:	DRAWING NO. P-P81-0000
				SHEET: 1/1	.XX ?2.05	.XX* ?2.5*	TITLE: Customer drawing	
A		NEW	02/15'2020	REV. A	FINISH SEE NOTE		昆山捷皇电子精密科技有限公司 HONGRIDA ELECTRONIC TECHNOLOGY CO.,LTD.	

P81-AB01B14F	10000PCS	22	220000	350*350*390
PART NO.	Q'TY/REEL	REEL/GARTON	Q'TY/CARTON	CATTON SIZE