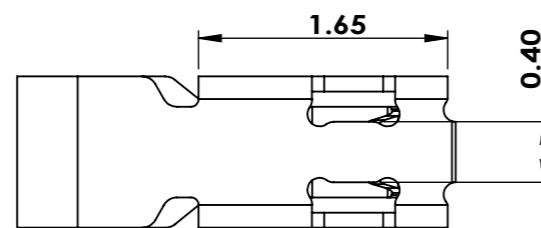
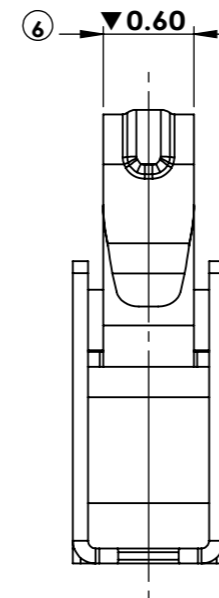
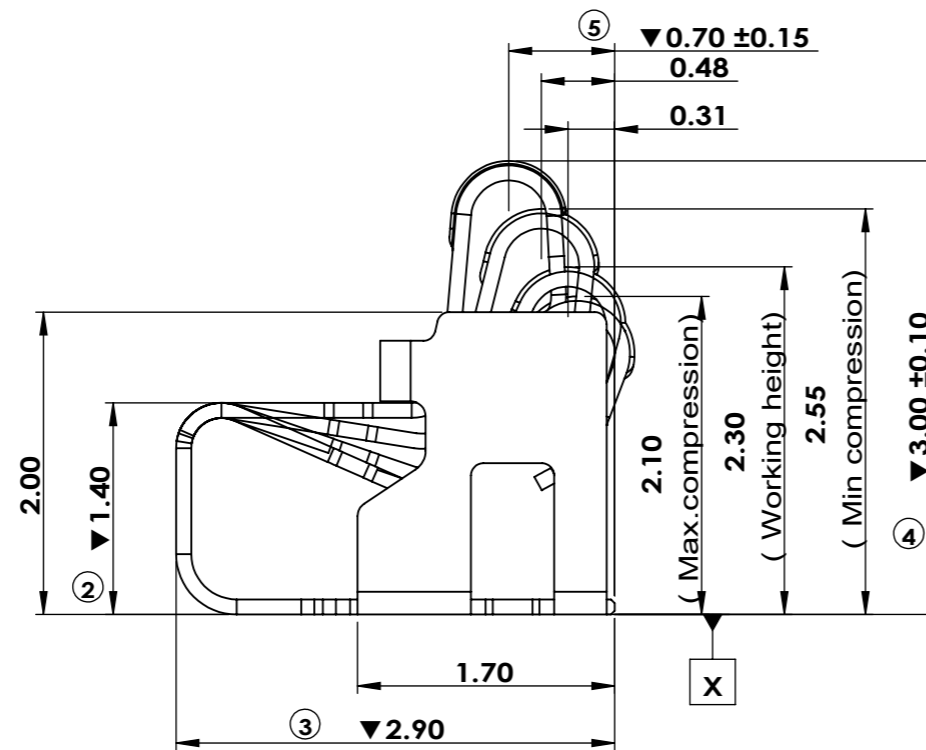
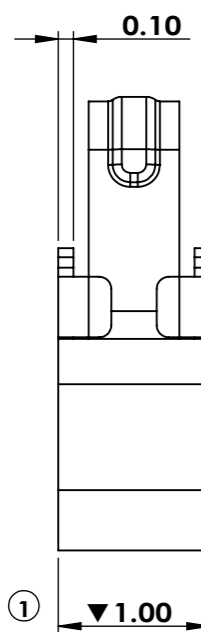
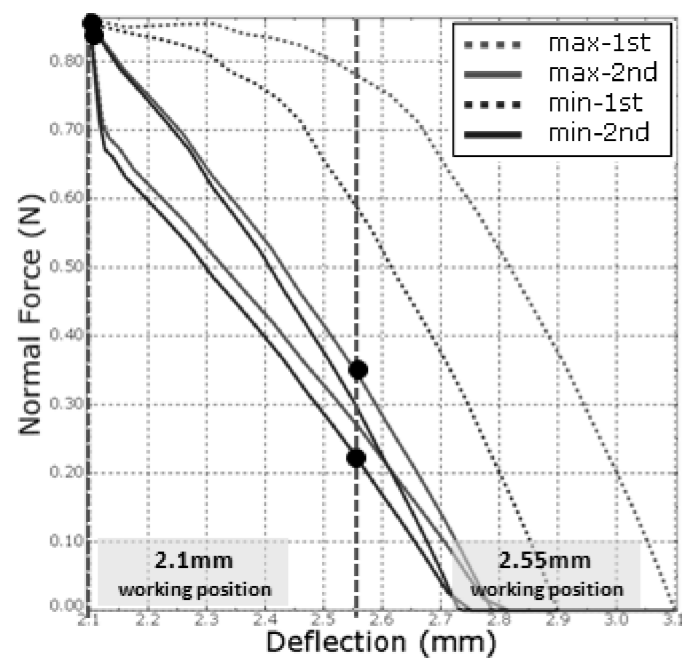



RECOMMENDED PCB LAYOUT
TOLERANCE $\pm 0.05\text{MM}$



NOTES:

1. MATERIAL: SUS301-3/4H T=0.1±0.10mm
2. FINISH:
 - 2.1. 1-3u". Au plating on contact area, Gold flash plating on solder area, 50-150u" Nicker on over all.
 - 2.2. Dimensions without tolerance please refer to tolerance table, structure without dimensions please refer to 3d drawing
 - 2.3. Dimensions of PCB pad and stencil are for reference only, customers can modify it by their own.
3. SPECIFICATIONS:
 - 3.1. Contact Resistance: 50mΩ max
 - 3.2. Operating Temperature: -40α~+85α
 - 3.3. Force max Deflection: 0.9N on contact point.
 - 3.4. Max Beam Deflection: 0.60mm on contact piont
4. RF Performance:
 - 4.1. Impedance: 50 OHM
 - 4.2. Vswr: 1.5max (DC-3GHz)
 - 4.3. Insertion Loss: 0.6dB max (DC-3GHz)
5. Durability: 100 Cycles
6. Packing Specification: Reel&Tape
7. ALL DIMENSIONS MARKED ▼ MUST BE CONTROLLED BY QC.



				UNITS: mm	GENERAL TOLERANCE		DRAW:	PART NO: P39-AB01F183
				DATE: 08/05/2020	X. ±0.25	X.° ±2.00	CHECKED:	NAME: Antenna FR Spring,SMT 2.9*1.0*3.0MM
				SCALE: 20/ 1	.X ±0.20	.X° ±1.00	APPROVE:	DRAWING NO: C-P39-0001
A		NEW	08/05/2020	SHEET: 1 / 1	TITLE: 客户图		 鸿日达科技股份有限公司 HONGRIDA ELECTRONIC TECHNOLOGY CO.,LTD.	
REV.	ECN NO.	DESCRIPTION	DATE	REV. A	FINISH:			