

A

B

C

D

E

F

A

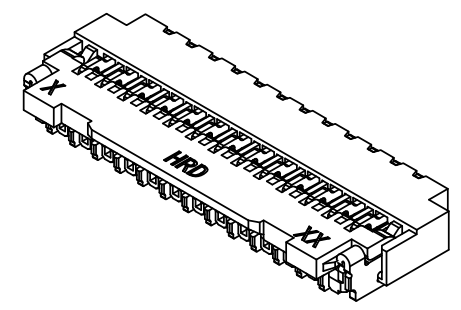
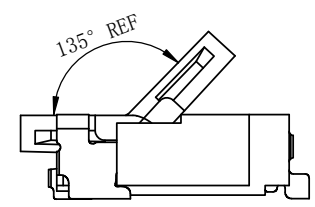
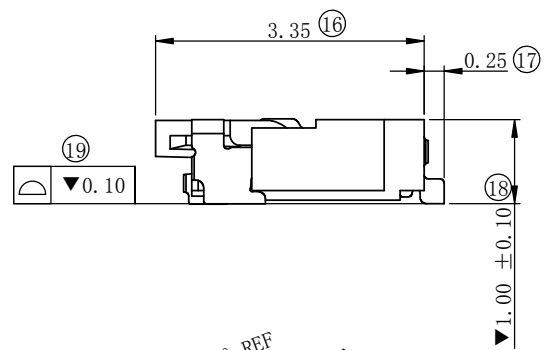
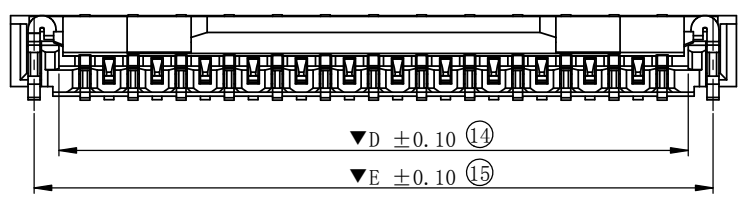
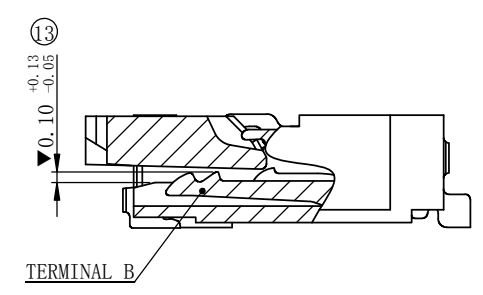
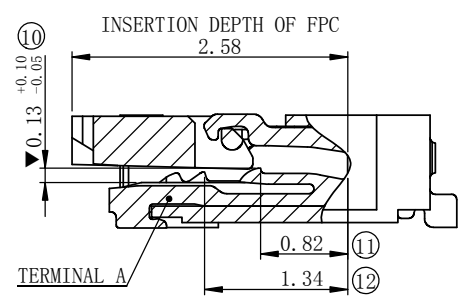
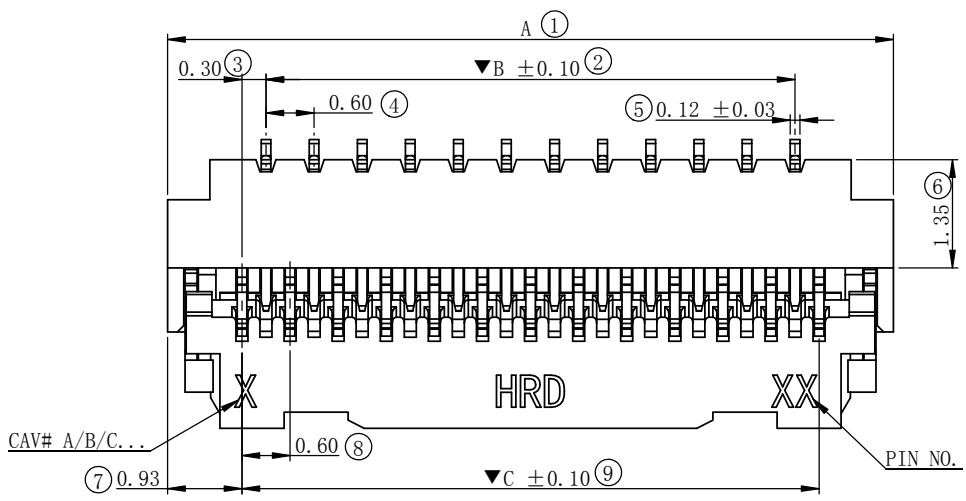
B

C

D

E

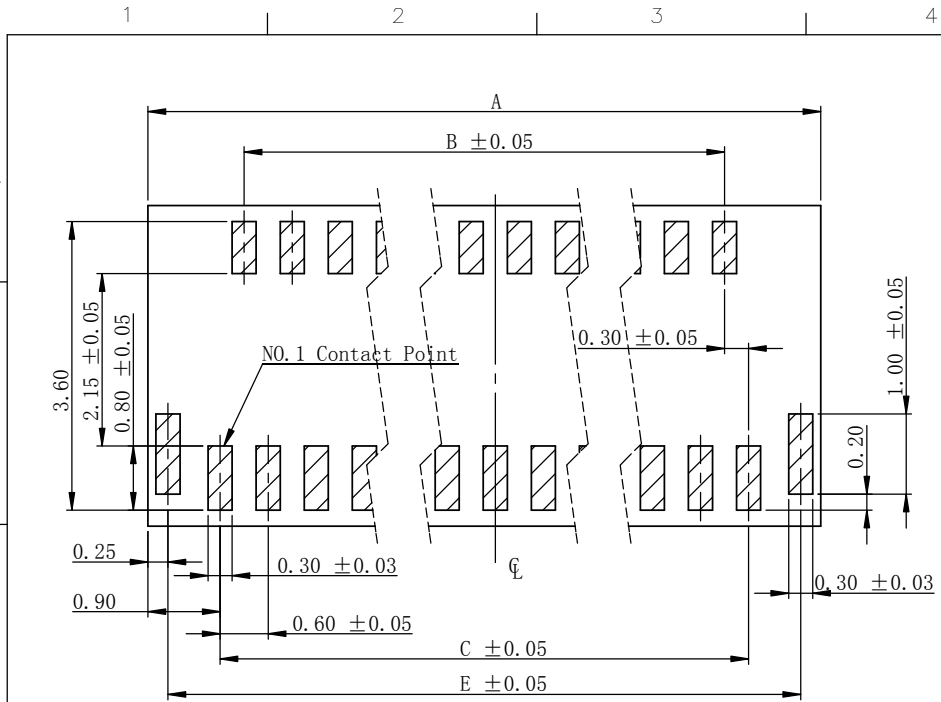
F



NOTES:

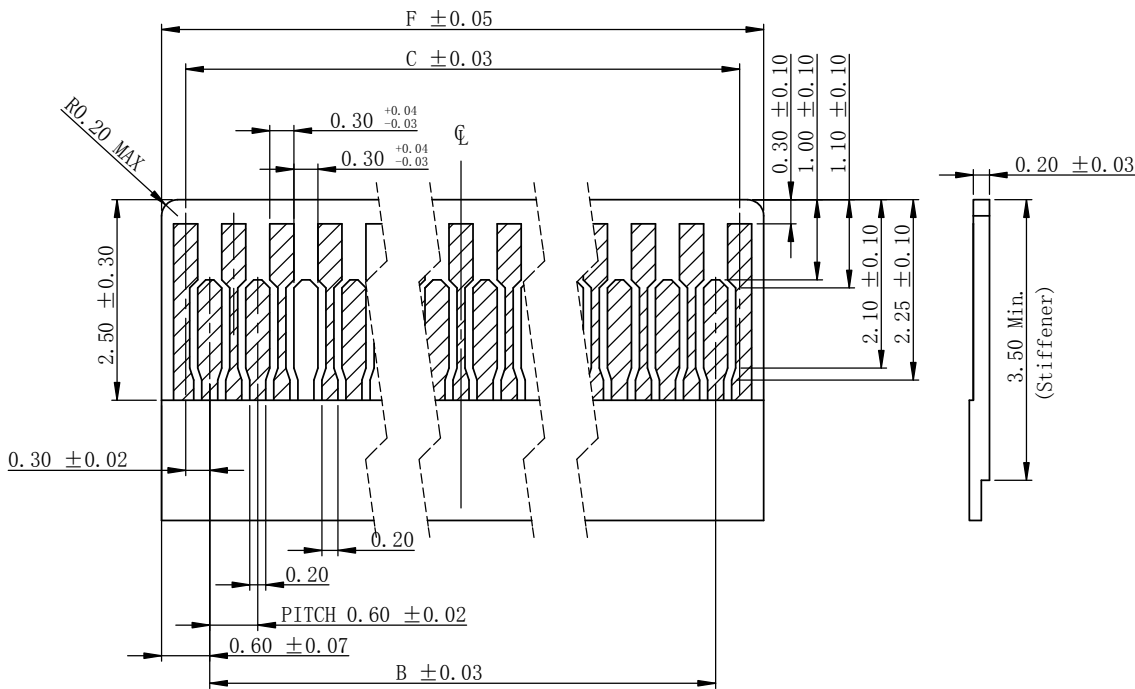
1. MATERIAL:
 BODY: LCP, WHITE, UL 94V-0
 COVER: PA, BLACK, UL 94V-0
 TERMINAL: COPPER ALLOY, T=0.12mm
 PEG: COPPER ALLOY, T=0.15mm
2. FINISH:
 TERMINA: 50u" MIN Ni UNDER PLATING OVER ALL
 GOLD FLASH ON CONTACT AREA
 PEG: 50u" MIN Ni UNDER PLATING OVER ALL
 TIN 60-200u" PLATED ON SOLDER TAIL AREA
3. ALL DIMENSIONS MARKED ▼ MUST BE CONTROLLED BY QC
4. ALL DIMENSIONS MARKED ※ MUST BE CONTROLLED BY FAI

				UNITS: mm	GENERAL TOLERANCE	DRAW:	PART NO:
				DATE: 08/25/2014	X. ±0.25 .X' ±2.00'	CHECKED:	ZF3-ABXXF10A-T
				SCALE: 15/1	.XX ±0.15 .XXX ±0.10	APPROVE:	TITLE: 0.30mm PITCH 1.00H ZF CONN.
				SHEET: 1/2	MATERIAL: SEE NOTE		DRAWING NO: C-ZF3-00XX-T
REV.	ECN NO.	DESCRIPTION	DATE	REV. A	FINISH: SEE NOTE	昆山捷皇电子精密科技有限公司 HONGRIDA ELECTRONIC TECHNOLOGY CO., LTD.	



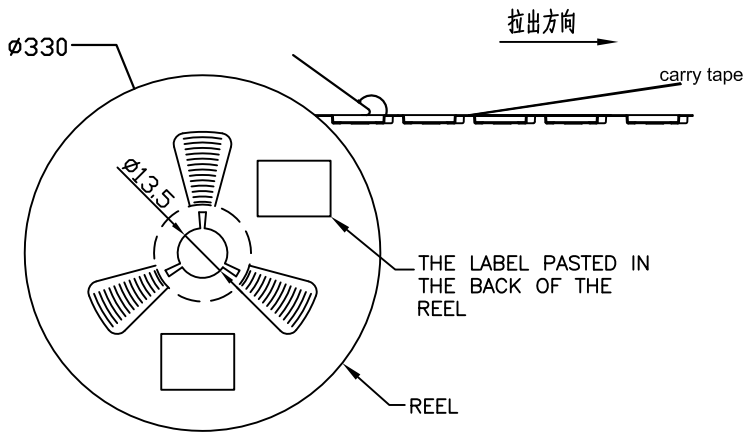
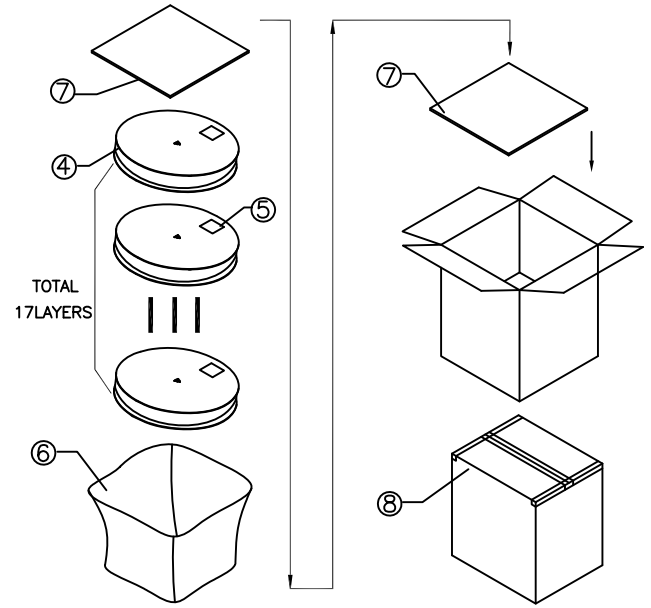
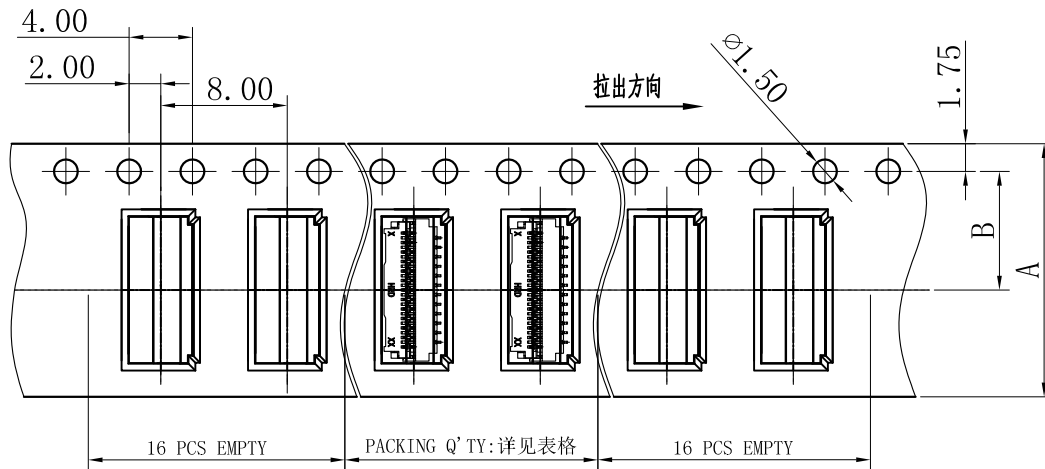
RECOMMENDED PCB DIMENSIONS

PIN NO.	P/N	DIM A	DIM B	DIM C	DIM D	DIM E	DIM F
09		4.20	1.80	2.40	3.05	3.70	3.00
11	ZF3-AB11F10A-T	4.80	2.40	3.00	3.65	4.30	3.60
13	ZF3-AB13F10A-T	5.40	3.00	3.60	4.25	4.90	4.20
15	ZF3-AB15F10A-T	6.00	3.60	4.20	4.85	5.50	4.80
17	ZF3-AB17F10A-T	6.60	4.20	4.80	5.45	6.10	5.40
19	ZF3-AB19F10A-T	7.20	4.80	5.40	6.05	6.70	6.00
21	ZF3-AB21F10A-T	7.80	5.40	6.00	6.65	7.30	6.60
23	ZF3-AB23F10A-T	8.40	6.00	6.60	7.25	7.90	7.20
25	ZF3-AB25F10A-T	9.00	6.60	7.20	7.85	8.50	7.80
27	ZF3-AB27F10A-T	9.60	7.20	7.80	8.45	9.10	8.40
29	ZF3-AB29F10A-T	10.20	7.80	8.40	9.05	9.70	9.00
31	ZF3-AB31F10A-T	10.80	8.40	9.00	9.65	10.30	9.60
33	ZF3-AB33F10A-T	11.40	9.00	9.60	10.25	10.90	10.20
35	ZF3-AB35F10A-T	12.00	9.60	10.20	10.85	11.50	10.80
37	ZF3-AB37F10A-T	12.60	10.20	10.80	11.45	12.10	11.40
39	ZF3-AB39F10A-T	13.20	10.80	11.40	12.05	12.70	12.00
41	ZF3-AB41F10A-T	13.80	11.40	12.00	12.65	13.30	12.60
43	ZF3-AB43F10A-T	14.40	12.00	12.60	13.25	13.90	13.20
45	ZF3-AB45F10A-T	15.00	12.60	13.20	13.85	14.50	13.80
49	ZF3-AB49F10A-T	16.20	13.80	14.40	15.05	15.70	15.00
51	ZF3-AB51F10A-T	16.80	14.40	15.00	15.65	16.30	15.60
57	ZF3-AB57F10A-T	18.60	16.20	16.80	17.45	18.10	17.40
61	ZF3-AB61F10A-T	19.80	17.40	18.00	18.65	19.30	18.60
67	ZF3-AB67F10A-T	21.60	19.20	19.80	20.45	21.10	20.40
71	ZF3-AB71F10A-T	22.80	20.40	21.00	21.65	22.30	21.60



RECOMMENDED FPC DIMENSIONS

				UNITS: mm	GENERAL TOLERANCE	DRAW:	PART NO: ZF3-ABXXF10A-T
				DATE: 08/25/2014	X. ±0.25 .X' ±2.00'	CHECKED:	TITLE: 0.30mm PITCH 1.00H ZF CONN.
				SCALE: 20/1	.XX ±0.15 .XXX ±0.10	APPROVE:	DRAWING NO: C-ZF3-00XX-T
				SHEET: 2/2	MATERIAL: SEE NOTE	昆山捷皇电子精密科技有限公司 HONGRIDA ELECTRONIC TECHNOLOGY CO, LTD.	
REV.	ECN NO.	DESCRIPTION	DATE	REV. A	FINISH: SEE NOTE		



BOM:

NO.	NAME	P/N	SPEC.
①	ZF-CONN.	ZF3-ABXXF10A-T	PITCH=0.30mm ZF CONN.
②	CARRY TAPE	RXX-ZF301XX0-T	PS,W=16.0/24.0,P=8.0
③	COVER TAPE	CXX-01000000	PE,W=13.3/20.7,T=0.05
④	REEL	PXX-01000000	$\phi 330,H=16.0/24.0$
⑤	LABEL	L01-01000000	
⑥	PE袋	G01-10100000	600*700
⑦	隔板	D02-01000000	330*330*3
⑧	纸箱	W01-01000000	350*350*390

PIN NO.	P/N	DIM A	DIM B	Q'TY/REEL	Q'TY/CARTON
09~25PIN	ZF3-AB09F10A-T~ ZF3-AB25F10A-T	16	7.50	5000PCS	85000PCS
27PIN	ZF3-AB27F10A-T	24	11.50	4500PCS	58500PCS
29~39PIN	ZF3-AB29F10A-T~ ZF3-AB39F10A-T	24	11.50	5000PCS	65000PCS

REV.	ECN NO.	DESCRIPTION	DATE	UNITS: mm	GENERAL TOLERANCE	DRAW:	PART NO:
A		INITIAL RELEASE	04/20'2018	X. ± 0.30 .X ± 0.20 SCALE: N/A	X.* $\pm 2.00^{\circ}$.X* $\pm 1.00^{\circ}$.XX ± 0.10 .XXX ± 0.05	CHECKED:	ZF3-ABXXF10A-T
				SHEET: 1/1	MATERIAL: SEE NOTE	APPROVE:	TITLE: ZF3-ABXXF10A-T
				REV. A	FINISH: SEE NOTE		DRAWING NO: 0.30PITCH ZF CONN. PACKING


 昆山捷皇电子精密科技有限公司
 HRD TECHNOLOGY CO.,LTD.