

RECOMMENDED PCB LAYOUT
TOLERANCE: ±0.05
STENCIL THICKNESS 0.10mm

CONTACT NO.	SIGNAL NO.
1	VBUS
2	D-
3	D+
4	ID
5	GND
SHELL	SHIELD

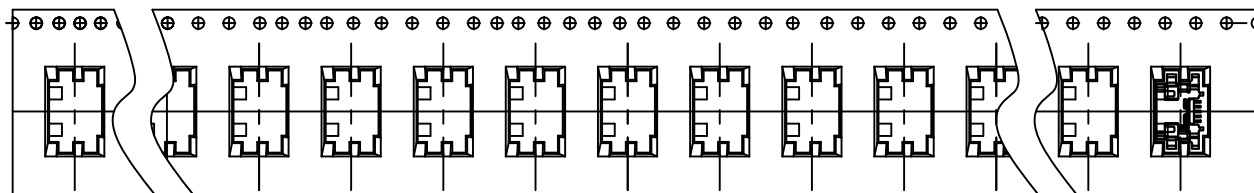
- NOTES:
- MATERIAL:
HOUSING: LCP.
CONTACT: COPPER ALLOY.
SHELL: STAINLESS STEEL.
 - FINISH:
CONTACT: 30u" AU MIN PLATED ON CONTACT AREA AND SOLDER AREA
50u" NI MIN UNDERPLATED OVERALL
SHELL: 1u" AU MIN PLATED ON SOLDER AREA
50u" NI MIN UNDERPLATED OVERALL
 - PRODUCT SPECIFICATIONS:
3-1 Voltage: 12V AC
3-2 Current: 3A.
3-3 OPERATION TEMPERATURE: -45° TO +85°
3-4 STORAGE TEMPERATURE: -45° TO +85°
 - ALL DIMENSIONS MARKED ▼ MUST BE CONTROLLED BY QC.
 - GP PASSED ACCORD WITH HRD-RoHS-219 STANDARD.
 - ALL DIMENSIONS MARKER (XX) MUST BE MEASURED BY FAI.

DESCRIPTION	MATERIAL	FINISH	Q' TY
SHELL	STAINLESS STEEL	1u" AU MIN SOLDER AREA 50u" NI MIN UNDER PLATED OVERALL	1
CONTACT	COPPER ALLOY	30u" AU MIN ON CONTACT AND SOLDER AREA 50u" NI MIN UNDER PLATED OVERALL	5
HOUSING	LCP, BLACK, UL 94V-0		1

REV.	ECN NO.	DESCRIPTION	DATE	UNITS: mm	GENERAL TOLERANCE	DRAW:	PART NO:
A		NEW	01/09/2018		X. ±0.30 .X ±0.20 .XX ±0.10 .XX ±0.05	X. ±2.00 .X ±1.00 .XX ±0.50	U51-AB05D250
				DATE: 01/09/2018		CHECKED:	TITLE: MICRO USB 5PIN 板上0.85mm 全插---直边
				SCALE: 10/1		APPROVE:	DRAWING NO:
				SHEET: 1/1	MATERIAL: SEE NOTE		
				REV. A	FINISH: SEE NOTE		

 昆山捷皇电子精密科技有限公司
HONGRIDA ELECTRONIC TECHNOLOGY CO., LTD.

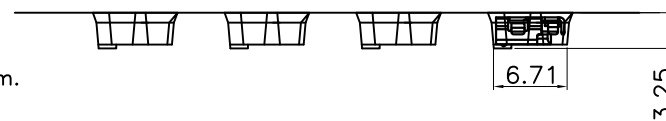
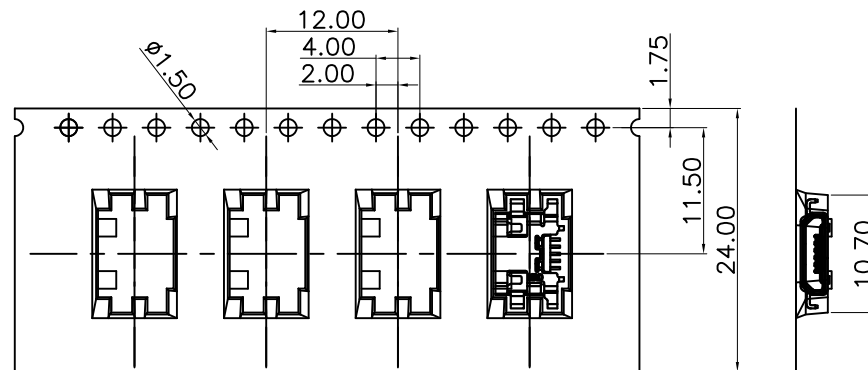
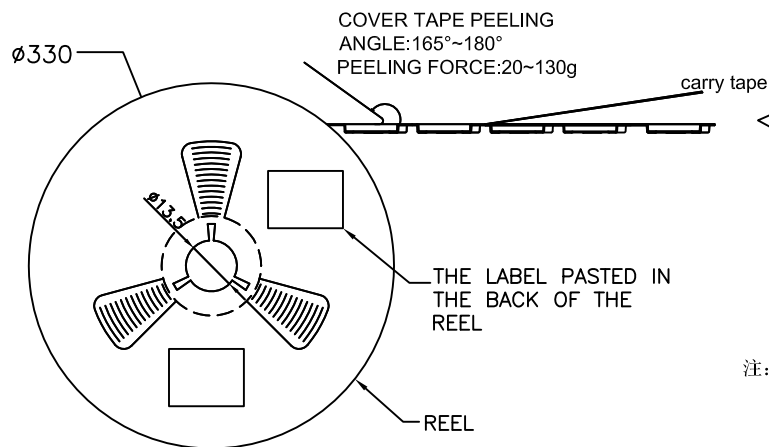
1 2 3 4 5 6 7 8



16PSC EMPTY CARRIER TAPE

PACKING Q'TY:1600PCS

16PSC EMPTY CARRIER TAPE



- 注: 1. 模具开口单边需成30度 / 深0.50mm的倒角
2. 所有未注拔模角度5度
3. 设定模数229模
4. 10个边孔的累计公差不能超过±0.2mm.
5. 材料规格: PS 透明抗静电, 厚度 0.30mm.
6. 13英寸卷轮卷装长度:19.584米.
7. 13英寸卷轮包装零件总颗数:1600PCS.
8. 所有尺寸设计参照EIA-481-C-2003.
9. 载带在250mm长度以内最大弯曲度不超过1mm.

U51-AB05D250	1600PCS	13	20800	350*350*390
PART NO.	Q'TY/REEL	REEL/GARTON	Q'TY/CARTON	CATTON SIZE

				UNITS: mm	GENERAL TOLERANCE	DRAW:	PART NO: P-U51-AB05D250
				DATE: 01/09/18	X. ±0.30 .X ±0.20 .XX ±0.10	X.' ±2.00' .X' ±1.00' .XX' ±0.50'	CHECKED:
				SCALE: 1/1			TITLE: MICRO USB 5PIN 板上0.85mm 全插--直边
				SHEET: 2/2	MATERIAL: SEE NOTE		DRAWING NO:
A		NEW	01/09/18	REV. A	FINISH: SEE NOTE		
REV.	ECN NO.	DESCRIPTION	DATE				



昆山捷皇电子精密科技有限公司
HONGRIDA TECHNOLOGY CO., LTD.

1 2 3 4 5 6 7 8