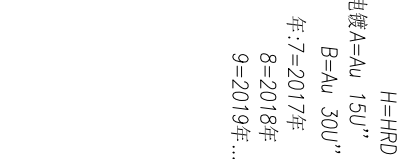
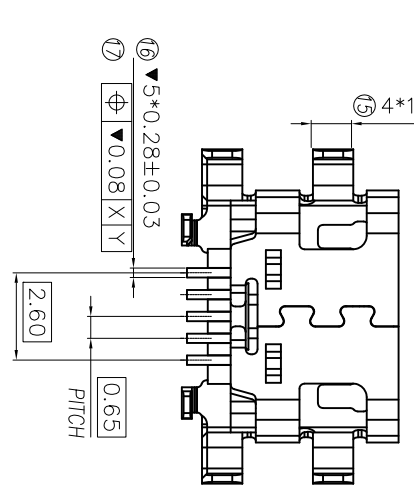
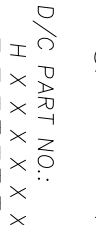
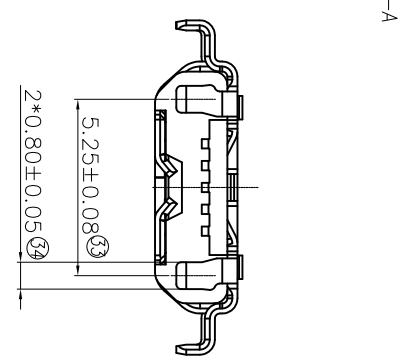
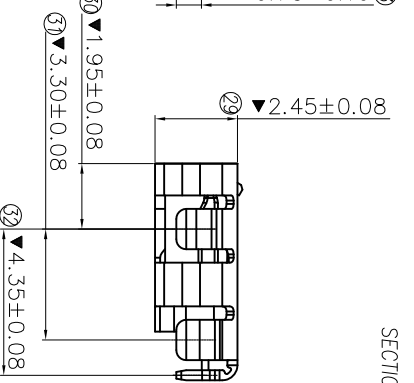
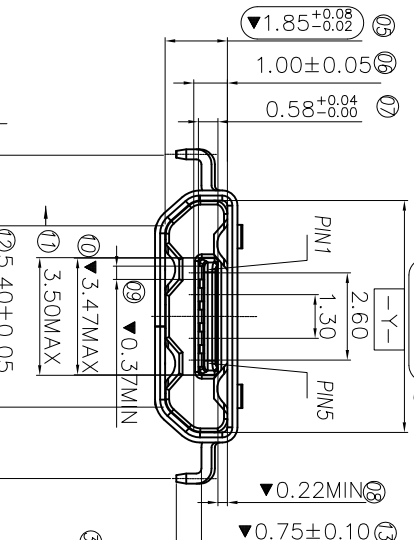


NOTES:
 1. MATERIAL:
 HOUSING: PA UL 94V-0
 CONTACT: COPPER ALLOY (G2680, T=0.20mm)
 SHELL: STAINLESS STEEL (SUS304-3/4H).
 2. FINISH:
 CONTACT: 80u" NI MIN UNDER PLATING
 30u" Pd/Ni MIN+5u" Au MIN ON FRONT CONTACT AREA
 5u" Pd/Ni MIN ON REVERSE CONTACT AREA
 1u" Au MIN ON SOLDER AREA
 SHELL: 1u" Au MIN PLATED ON SOLDER AREA
 50u" NI MIN UNDERPLATED OVERALL

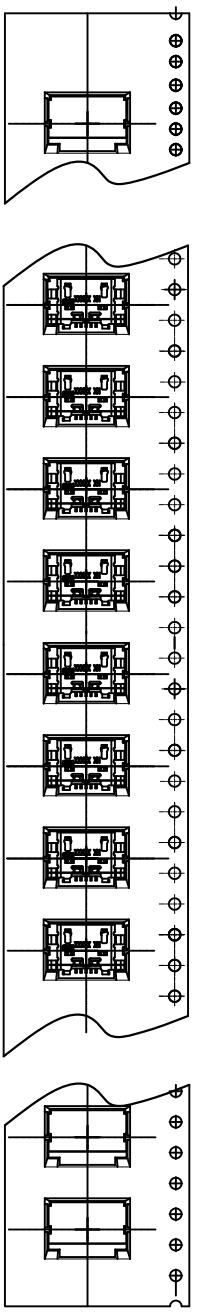


H=HRD
 电镀: A=Au 15u"
 B=Au 30u"
 年: 7=2017年
 8=2018年
 9=2019年, ...
 线别: A=A线, B=B线
 班别: 1=白班, 2=夜班
 日: 1=1日, 2=2日, ...
 A=10日, B=11日, ...
 (WITH OUT I O Z)
 月: 1=1月, 2=2月, ...
 A=10月, B=11月, ...

ITEM	DESCRIPTION	MATERIAL	FINISH	QTY
1	HOUSING	PA UL 94V-0		1
2	CONTACT	COPPER ALLOY (G2680, T=0.20mm)		5
3	SHELL	STAINLESS STEEL (SUS304-3/4H, T=0.30mm)		1

REV.	ECN NO.	DESCRIPTION	DATE	REV.	UNITS:	GENERAL TOLERANCE	DRAWN:	PART NO.
A		NEW	2018.04.24	B	mm	X: ±0.20 X: ±0.10 XX ±0.05 XXX ±0.02	U66-AB05D110	U66 MICRO USB SPIN
B	E1805162A	电镀规格变更	2018.05.12			X: ±2.00 X: ±1.00 XX ±0.05 XX ±0.5	U66 MICRO USB SPIN	

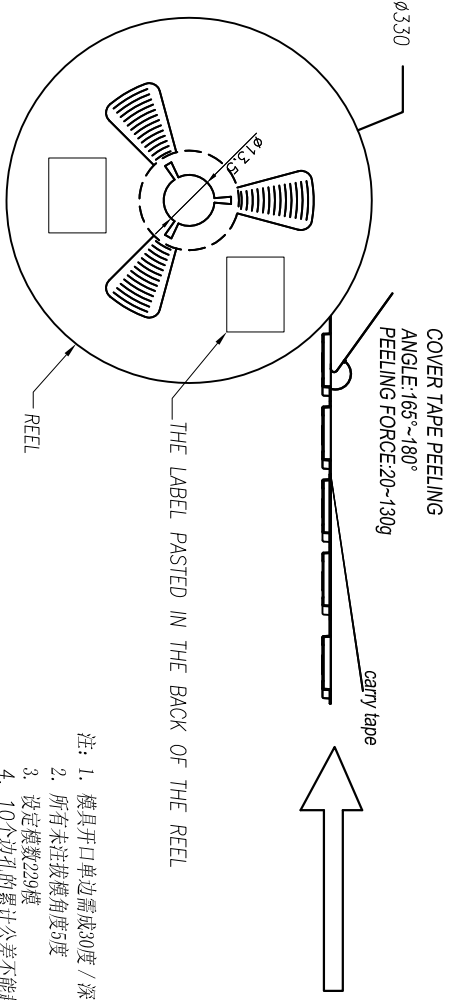
ASSEMBLY DRAW FOR U66
 TITLE: 昆山捷皇电子精密科技有限公司
 HONGRIDA ELECTRONIC TECHNOLOGY CO.,LTD.



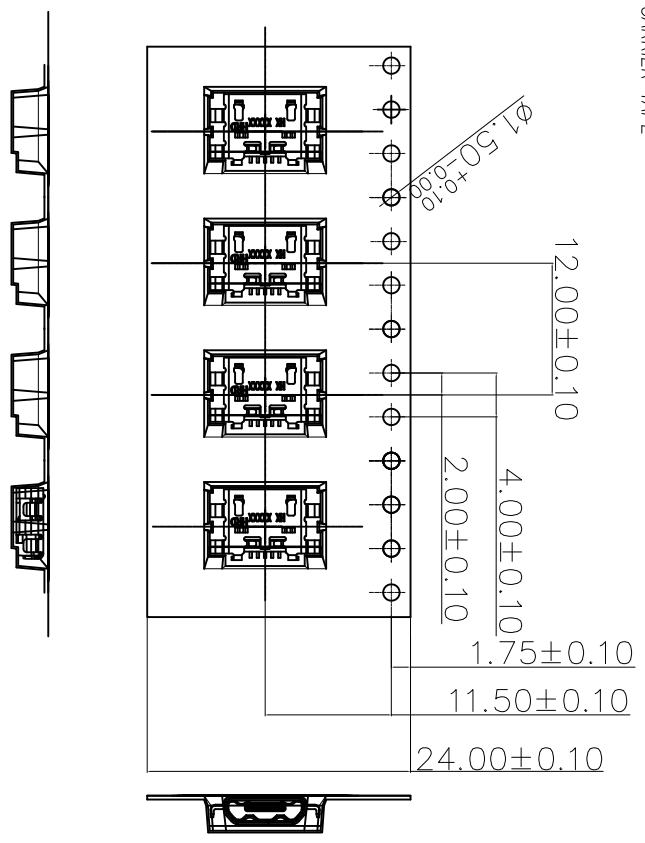
16PCS EMPTY CARRIER TAPE

PACKING Q'TY:1800PCS

16PCS EMPTY CARRIER TAPE



- 注:
1. 模具开口单边需成30度 / 深0.50mm的倒角
 2. 所有未注拔模角度5度
 3. 设定模数229模
 4. 10个边孔的累计公差不能超过±0.2mm.
 5. 材料规格: PS 透明抗静电, 厚度 0.30mm.
 6. 1.3英寸卷轮卷装长度:21.984米.
 7. 1.3英寸卷轮包装零件总颗数:1800PCS.
 8. 所有尺寸设计参照 EIA-481-C-2003.
 9. 载带在250mm长度以内最大弯曲度不超过1mm.



U66-AB05D110	1800PCS	12	21600	350*350*390
PART NO.	Q'TY/REEL	REEL/CARTON	Q'TY/CARTON	CATTON SIZE

REV. A	ECN NO.	DESCRIPTION	DATE	REV. B	SHEET: 2/2	TITLE: ASSEMBLY DRAW FOR U66	FINISH SEE NOTE	GENERAL TOLERANCE	DRAW:	PART NO.
								X: ±0.20 .X: ±0.10 .XX: ±0.05 .XXX: ±0.02	X*: ±2.00" X*: ±1.00"	U66-AB05D110
		电烙规格变更	2018.05.12						CHECKED:	NAME: U66 MICRO USB 5PIN
		NEW	2018.04.24						APPROVE:	DRAWING NO. A-U66-0000

昆山捷皇电子精密科技有限公司
HONGRIDA ELECTRONIC TECHNOLOGY CO.LTD.