

A

B

C

D

E

F

A

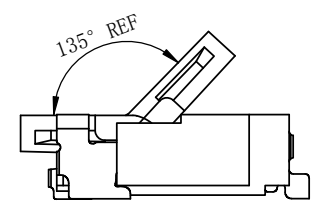
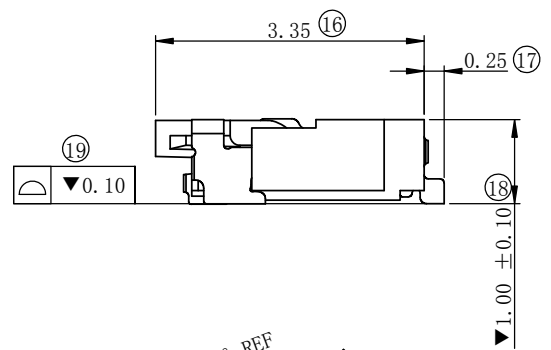
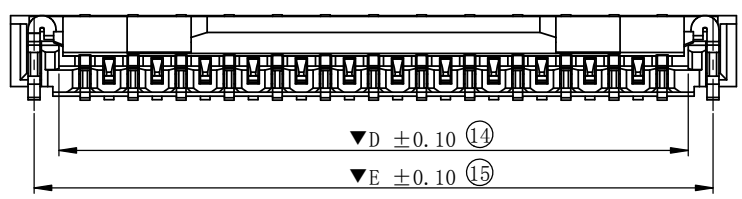
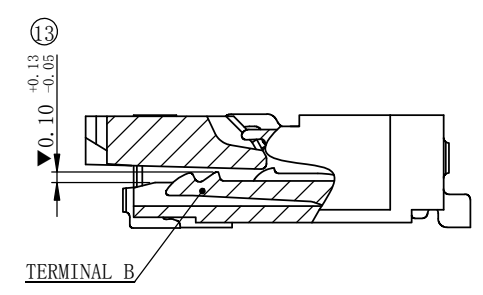
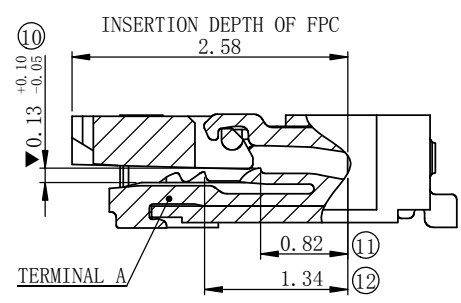
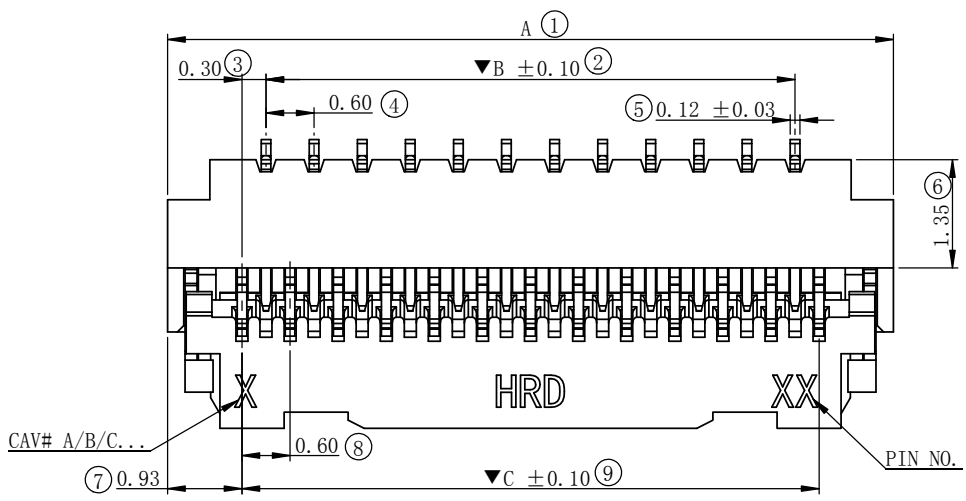
B

C

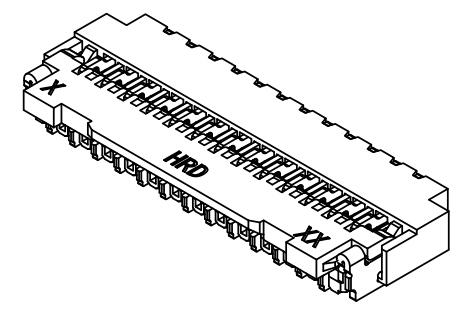
D

E

F



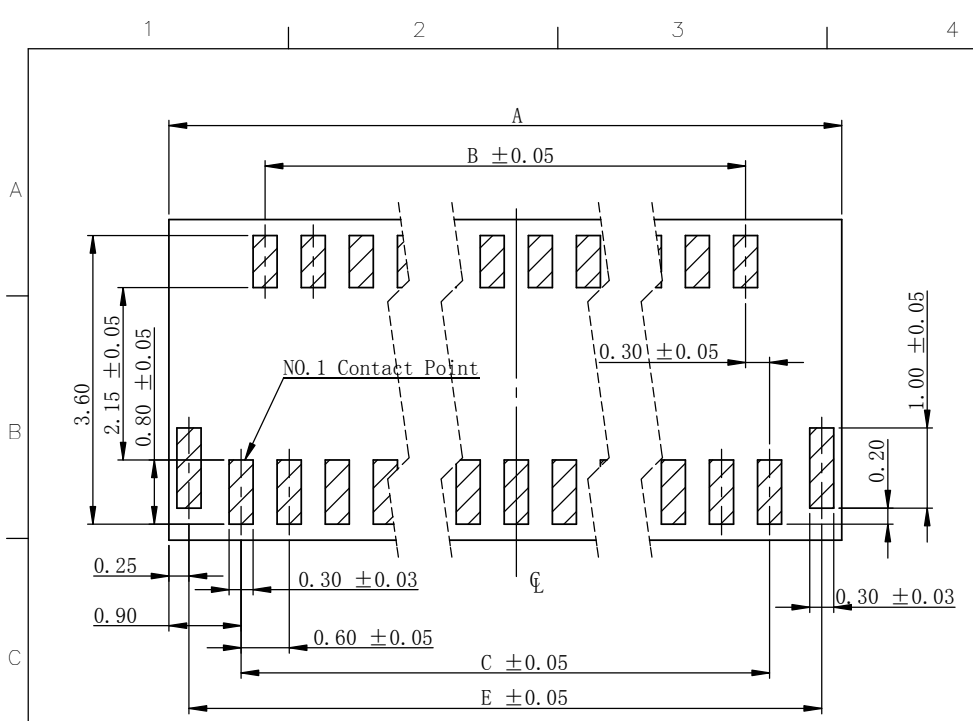
WHEN COVER IS OPENED



NOTES:

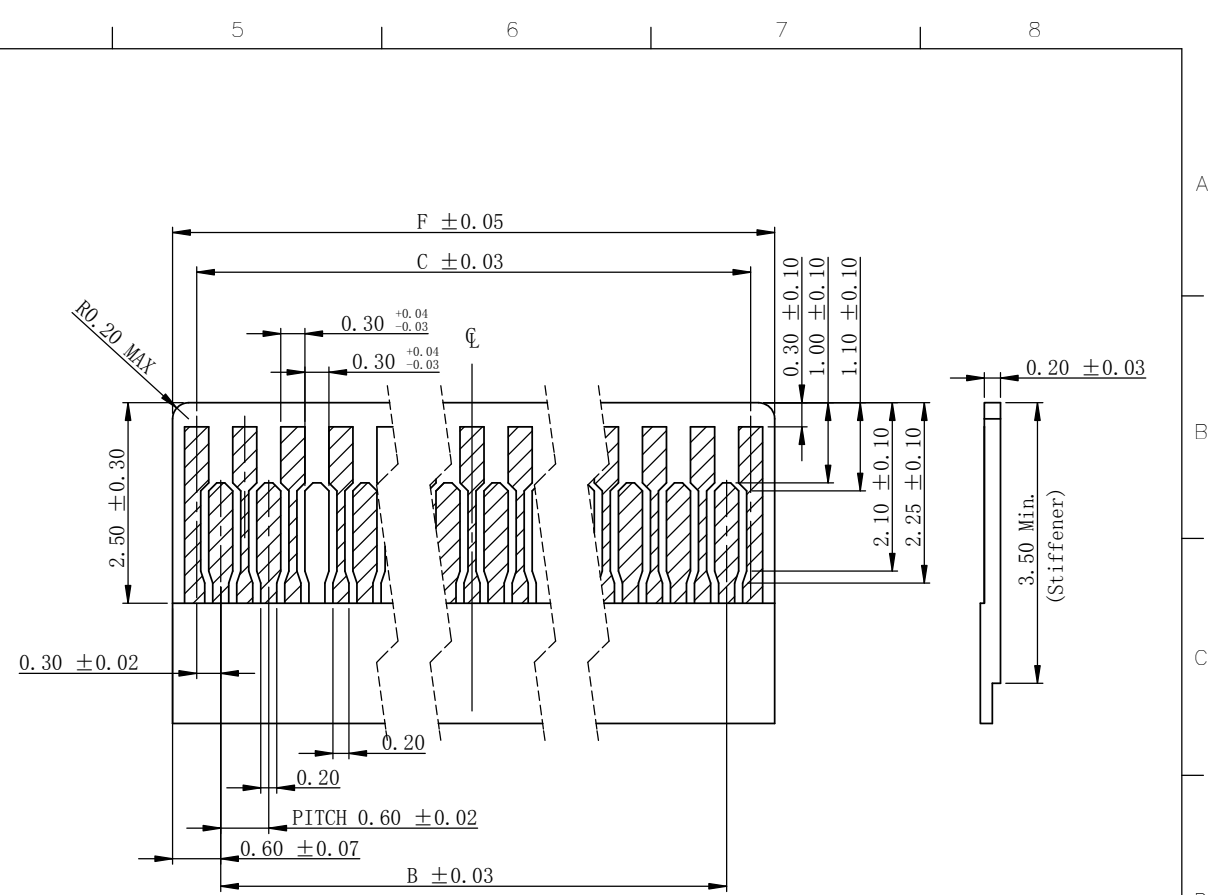
1. MATERIAL:  
 BODY: LCP, WHITE, UL 94V-0  
 COVER: PA, BLACK, UL 94V-0  
 TERMINAL: COPPER ALLOY, T=0.12mm  
 PEG: COPPER ALLOY, T=0.15mm
2. FINISH:  
 TERMINA: 50u" MIN Ni UNDER PLATING OVER ALL  
 GOLD FLASH ON CONTACT AREA  
 PEG: 50u" MIN Ni UNDER PLATING OVER ALL  
 TIN 60-200u" PLATED ON SOLDER TAIL AREA
3. ALL DIMENSIONS MARKED ▼ MUST BE CONTROLLED BY QC
4. ALL DIMENSIONS MARKED ※ MUST BE CONTROLLED BY FAI

				UNITS: mm	GENERAL TOLERANCE		DRAW:	PART NO:
				DATE: 08/25/2014	X. ±0.25	X.' ±3.00'	CHECKED:	ZF3-ABXXF10A
				SCALE: 15/1	.X ±0.20	.X' ±2.00'	APPROVE:	TITLE: 0.30mm PITCH 1.00H ZF CONN.
				SHEET: 1/2	.XX ±0.15	.XX' ±1.00'		DRAWING NO: C-ZF3-00XX
A		NEW	08/25/2014	MATERIAL: SEE NOTE	昆山捷皇电子精密科技有限公司 HONGRIDA ELECTRONIC TECHNOLOGY CO., LTD.			
REV.	ECN NO.	DESCRIPTION	DATE	FINISH: SEE NOTE				



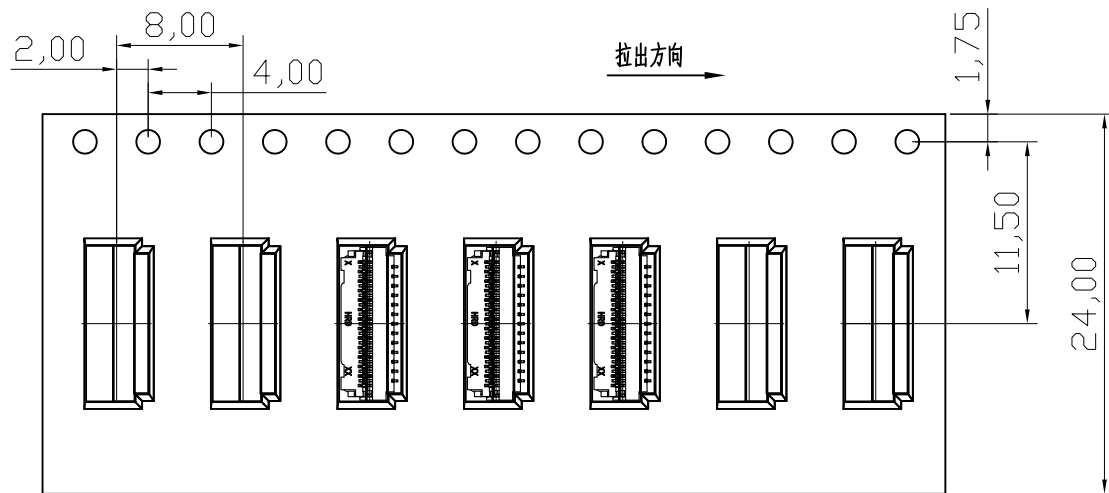
RECOMMENDED PCB DIMENSIONS

PIN NO.	P/N	DIM A	DIM B	DIM C	DIM D	DIM E	DIM F
09		4.20	1.80	2.40	3.05	3.70	3.00
11	ZF3-AB11F10A	4.80	2.40	3.00	3.65	4.30	3.60
13	ZF3-AB13F10A	5.40	3.00	3.60	4.25	4.90	4.20
15	ZF3-AB15F10A	6.00	3.60	4.20	4.85	5.50	4.80
17	ZF3-AB17F10A	6.60	4.20	4.80	5.45	6.10	5.40
19	ZF3-AB19F10A	7.20	4.80	5.40	6.05	6.70	6.00
21	ZF3-AB21F10A	7.80	5.40	6.00	6.65	7.30	6.60
23	ZF3-AB23F10A	8.40	6.00	6.60	7.25	7.90	7.20
25	ZF3-AB25F10A	9.00	6.60	7.20	7.85	8.50	7.80
27	ZF3-AB27F10A	9.60	7.20	7.80	8.45	9.10	8.40
29	ZF3-AB29F10A	10.20	7.80	8.40	9.05	9.70	9.00
31	ZF3-AB31F10A	10.80	8.40	9.00	9.65	10.30	9.60
33	ZF3-AB33F10A	11.40	9.00	9.60	10.25	10.90	10.20
35	ZF3-AB35F10A	12.00	9.60	10.20	10.85	11.50	10.80
37	ZF3-AB37F10A	12.60	10.20	10.80	11.45	12.10	11.40
39	ZF3-AB39F10A	13.20	10.80	11.40	12.05	12.70	12.00
41	ZF3-AB41F10A	13.80	11.40	12.00	12.65	13.30	12.60
43	ZF3-AB43F10A	14.40	12.00	12.60	13.25	13.90	13.20
45	ZF3-AB45F10A	15.00	12.60	13.20	13.85	14.50	13.80
49	ZF3-AB49F10A	16.20	13.80	14.40	15.05	15.70	15.00
51	ZF3-AB51F10A	16.80	14.40	15.00	15.65	16.30	15.60
57	ZF3-AB57F10A	18.60	16.20	16.80	17.45	18.10	17.40
61	ZF3-AB61F10A	19.80	17.40	18.00	18.65	19.30	18.60
67	ZF3-AB67F10A	21.60	19.20	19.80	20.45	21.10	20.40
71	ZF3-AB71F10A	22.80	20.40	21.00	21.65	22.30	21.60



RECOMMENDED FPC DIMENSIONS

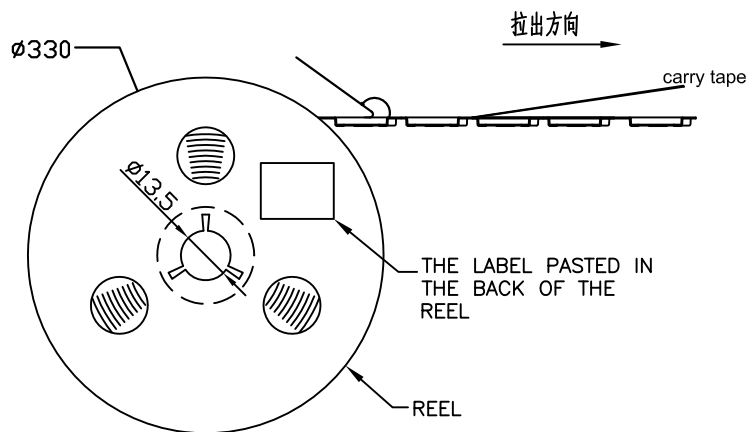
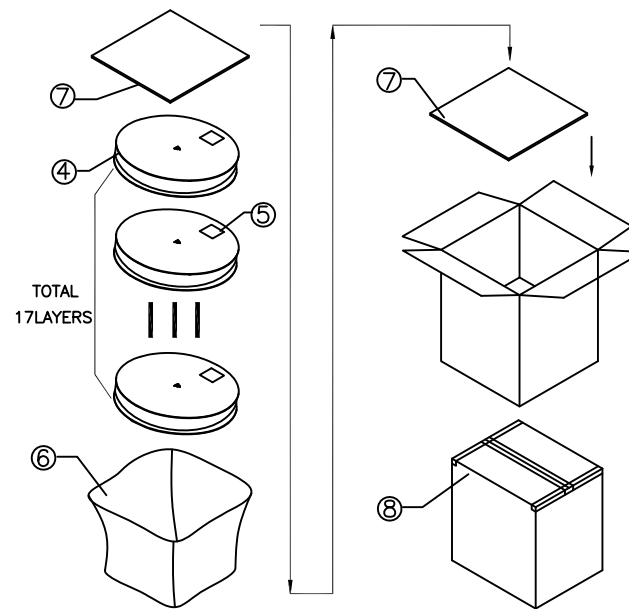
				UNITS: mm	GENERAL TOLERANCE		DRAW:	PART NO: ZF3-ABXXF10A
				DATE: 08/25/2014	X. ±0.25 .X ±0.20	X' ±3.00 .X' ±2.00	CHECKED:	TITLE: 0.30mm PITCH 1.00H ZF CONN.
				SCALE: 20/1	.XX ±0.15 .XXX ±0.10	.XX' ±1.00	APPROVE:	DRAWING NO: C-ZF3-00XX
A		NEW	08/25/2014	SHEET: 2/2	MATERIAL: SEE NOTE		<b>昆山捷皇电子精密科技有限公司</b> HONGRIDA ELECTRONIC TECHNOLOGY CO., LTD.	
REV.	ECN NO.	DESCRIPTION	DATE	REV. A	FINISH: SEE NOTE			



16 PCS EMPTY

PACKING Q'TY:4500PCS

16 PCS EMPTY




THE LABEL PASTED IN THE BACK OF THE REEL

REEL

BOM:

NO.	NAME	P/N	SPEC.	Q'TY
①	ZF-CONN.	ZF3-AB27F10A	PITCH=0.30mm 27PIN ZF CONN.	58500PCS
②	CARRY TAPE	R24-ZF301270	PET,W=24.0,P=8.0	290.048m
③	COVER TAPE	C24-01000004	PE,W=20.7,T=0.05	290.048m
④	REEL	P24-01100000	φ330,H=24.0	13PCS
⑤	LABEL	L01-01000000		13PCS
⑥	PE袋	G01-00907007	900*700*0.07	1PCS
⑦	隔板	Y03-40036000	400*360	2PCS
⑧	纸箱	W01-01353539	350*350*390	1PCS

				UNITS: mm	GENERAL TOLERANCE		DRAW:	PART NO:
				DATE: 07/18'16	X. ±0.30	X.* ±2.00*	CHECKED:	P-ZF3-AB27F10A
B	E1709332A	包装方向、数量变更	09/21'2017	SCALE: N/A	.X ±0.20	.X* ±1.00*	APPROVE:	TITLE: P-ZF3-AB27F10A
A		INITIAL RELEASE	07/18'2016	SHEET: 1/1	.XX ±0.10	.XX* ±0.50*		DRAWING NO: 0.30PITCH ZF CONN. PACKING
REV.	ECN NO.	DESCRIPTION	DATE	REV. A	.XXX±0.05	.XXX*±0.10*		
					MATERIAL: SEE NOTE		 昆山捷皇电子精密科技有限公司 HRD TECHNOLOGY CO.,LTD.	