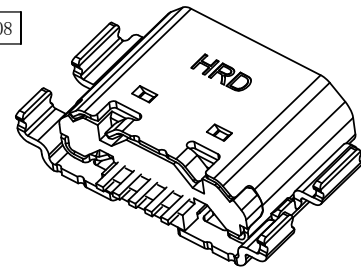
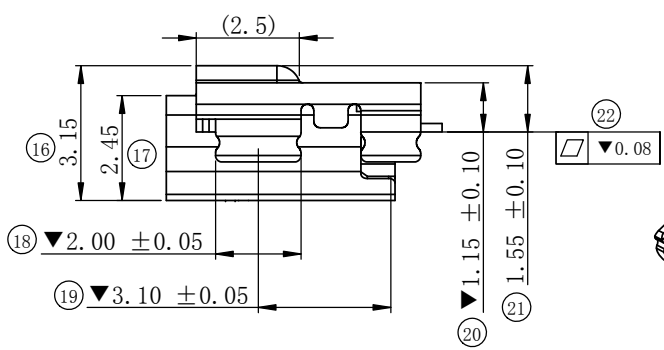
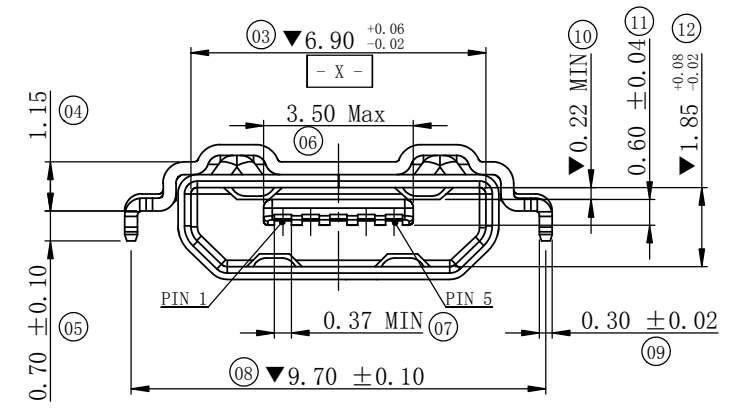
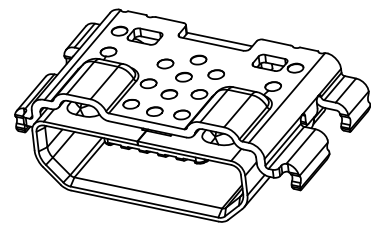
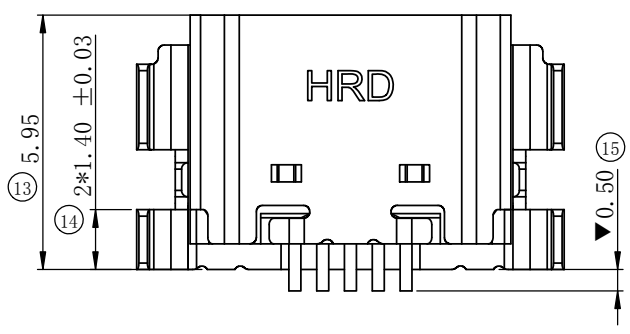



RECOMMENDED PCB LAYOUT



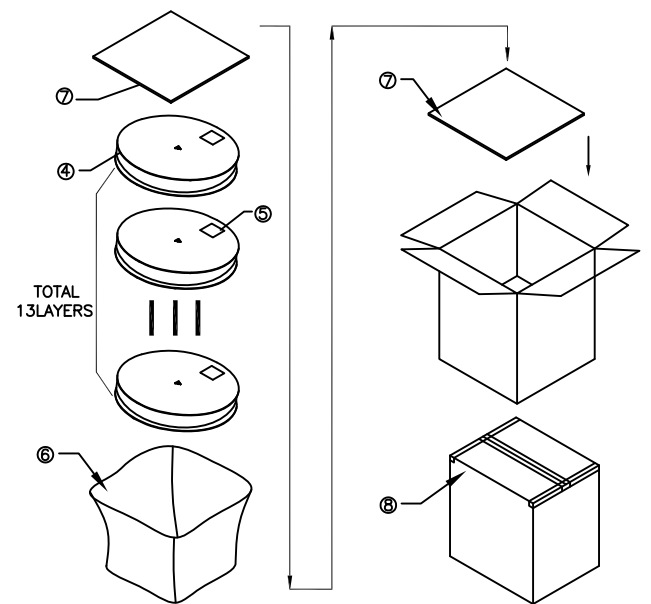
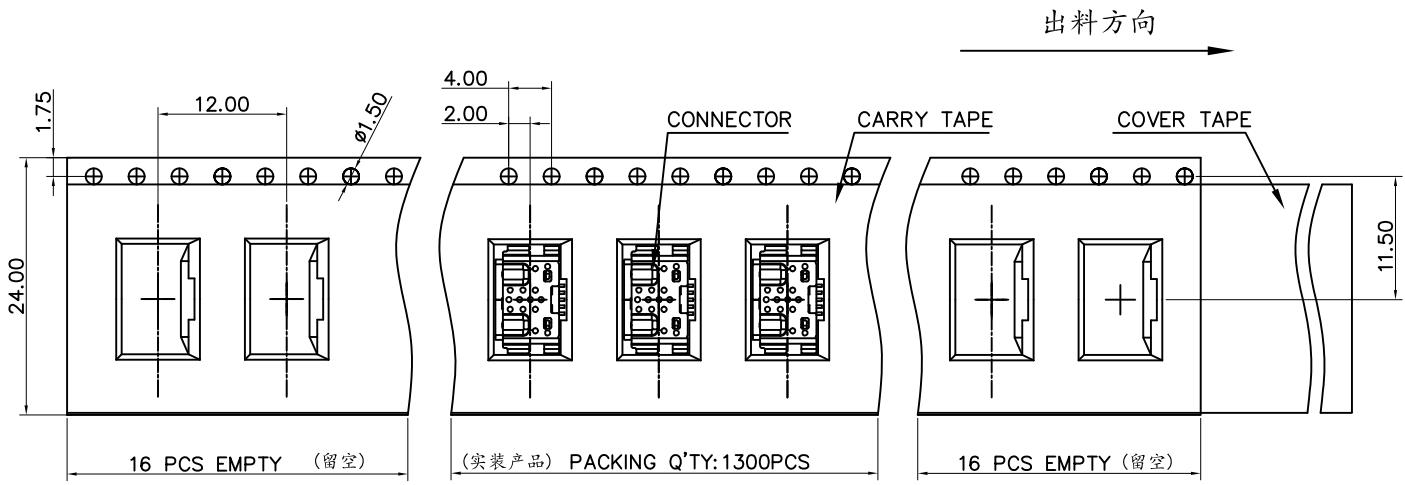
CONTACT NO.	SIGNAL NO.
1	VBUS
2	D-
3	D+
4	ID
5	GND
SHELL	SHIELD



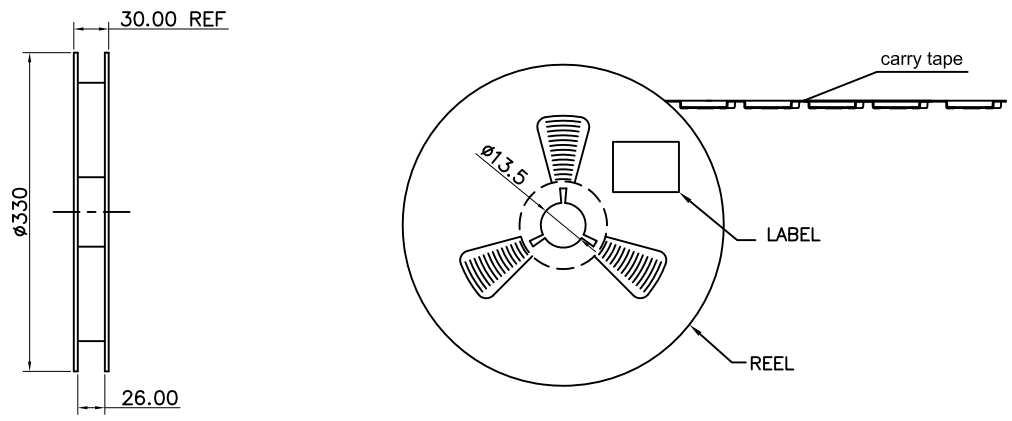
DESCRIPTION	MATERIAL	FINISH	Q' TY
OUT SHELL	STAINLESS STEEL T=0.30mm	50u" NI MIN UNDER PLATED OVERALL GOLD PLATED ON SOLDER AREA	1
SHELL	STAINLESS STEEL T=0.30mm	50u" NI MIN UNDER PLATED OVERALL	1
CONTACT	COPPER ALLOY T=0.20mm	15u" MIN AU ON CONTACT AREA 1u" ON SOLDER AREA, 50u" NI MIN UNDER PLATED OVERALL	5
HOUSING	LCP , BLACK, UL 94V-0	N/A	1

UNITS: mm	GENERAL TOLERANCE	DRAW:	PART NO: U38-AB05C120
DATE: 12/26/2016	X. ±0.20 X.' ±2.00 .X ±0.15 .X' ±1.00	CHECKED:	TITLE: MICRO USB 5P H=1.15mm DIP-SMT TYPE
SCALE: 5/1	.XX ±0.10 .XX' ±0.50 .XXX ±0.05	APPROVE:	DRAWING NO:
SHEET: 1/2	MATERIAL:	 <b>昆山捷皇电子精密科技有限公司</b> <b>HONGRIDA ELECTRONIC TECHNOLOGY CO., LTD.</b>	
REV. A	FINISH: SEE NOTE		

- NOTES:
- MATERIAL:  
HOUSING:LCP  
CONTACT:COPPER ALLOY  
SHELL:STAINLESS STEEL  
OUT SHELL:STAINLESS STEEL
  - FINISH:  
CONTACT:15u" AU MIN PLATED ON CONTACT AREA  
1u" ON SOLDER AREA  
50u" NI MIN UNDERPLATED OVERALL  
SHELL: 50u" NI MIN UNDERPLATED OVERALL  
OUT SHELL:50u" NI MIN UNDERPLATED OVERALL  
GOLD PLATED ON SOLDER AREA
  - PRODUCT SPECIFICATIONS:  
3-1 Voltage: 12V AC  
3-2 Current: 3A.  
3-3 OPERATION TEMPERATURE:-45° TO +85°  
3-4 STORAGE TEMPERATURE:-45° TO +85°  
3-5 MATING FORCE:35N MAX  
3-6 UNMATING FORCE:8N MIN
  - ALL DIMENSIONS MARKED ▼ MUST BE CONTROLLED BY QC.
  - ALL DIMENSIONS MARKER ⊗ MUST BE MEASURE BY FAI.



U38-AB05C120 & 包装示意图



BOM:

NO.	NAME	P/N	SPEC.	Q'TY
①	MICRO USB	U38-AB05C120	DIP+SMT	16900PCS
②	CARRY TAPE	R24-U3800000	PS,W=24.0,P=12.0	159.840m
③	COVER TAPE	C24-00100000	PE,W=21.3,T=0.05	159.840m
④	REEL	P24-01000000	φ330,H=24.0	13PCS
⑤	LABEL	L01-01000000		13PCS
⑥	PE袋	G01-10100000	600*700	1PCS
⑦	隔板	D02-01000000	330*330*3	2PCS
⑧	纸箱	W01-01000000	350*350*390	1PCS

NO.	DESCRIPTION	MAT,L	COLOR	REMARK
3				
2				
1	R24-U3800000	PS	TRANSPARENT	

UNITS: mm	GENERAL TOLERANCE		DRAW:	PART NO: U38-AB05C120
DATE: 12/24*2016	X. ±0.20	X.' ±2.00'	CHECKED:	TITLE: MICRO USB 5P H=1.15mm DIP+SMT TYPE
SCALE: N/A	.X ±0.15	.X' ±1.00'	APPROVE:	DRAWING NO:
SHEET: 2/2	.XX ±0.10	.XX' ±0.50'	MATERIAL:	
REV. A	FINISH:		昆山捷皇电子精密科技有限公司 HRD ELECTRONIC TECHNOLOGY CO.,LTD.	